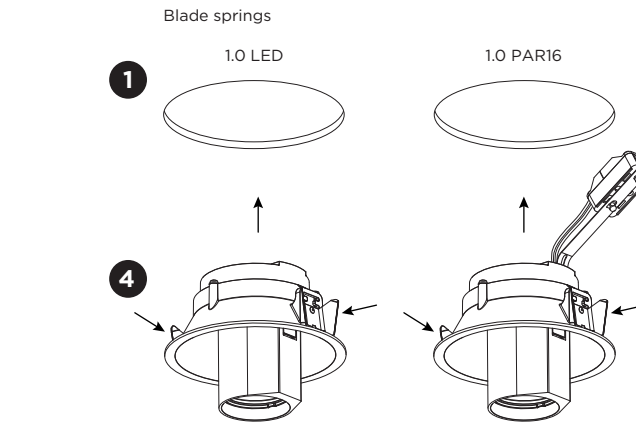
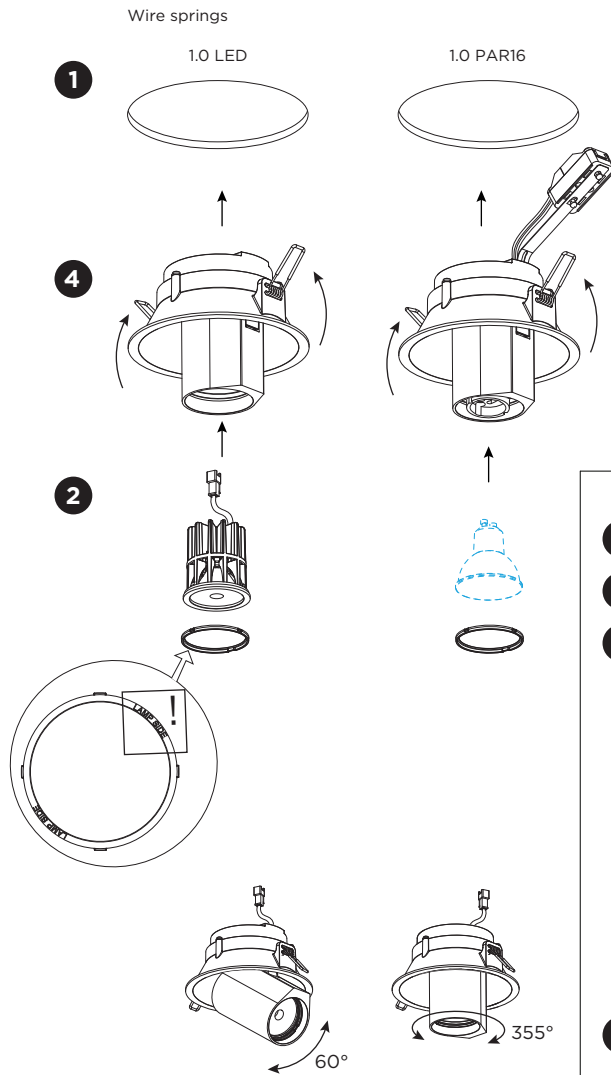


# BLIEK ROUND

INSTALLATION INSTRUCTIONS | NOVEMBER 2022



## MOUNTING INSTRUCTION

- 1 Make a hole in the ceiling according to the prescribed dimensions.
- 2 Place the LED module or lamp by fixing it with the spring clip.

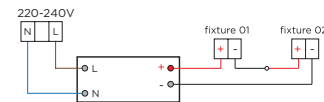
## 3 POWER CONNECTION

**LED** Always use a driver according to the specifications of the LED module.

### Single connection



### Multiple connection



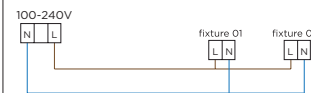
- 4 Push the wire springs upwards and insert the fixture in the ceiling hole. Push on the side of the blade springs and insert the fixture in the ceiling hole.

## PAR16

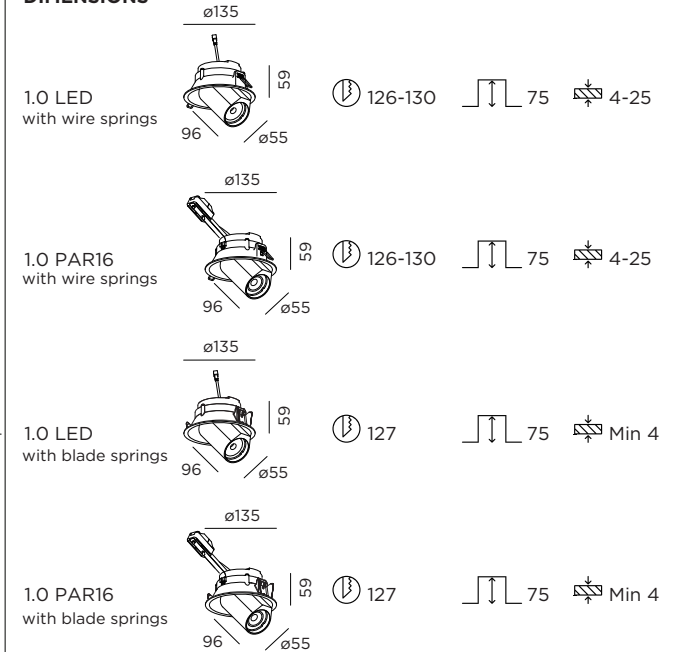
### Single connection



### Multiple connection

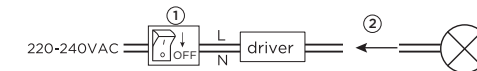


## DIMENSIONS



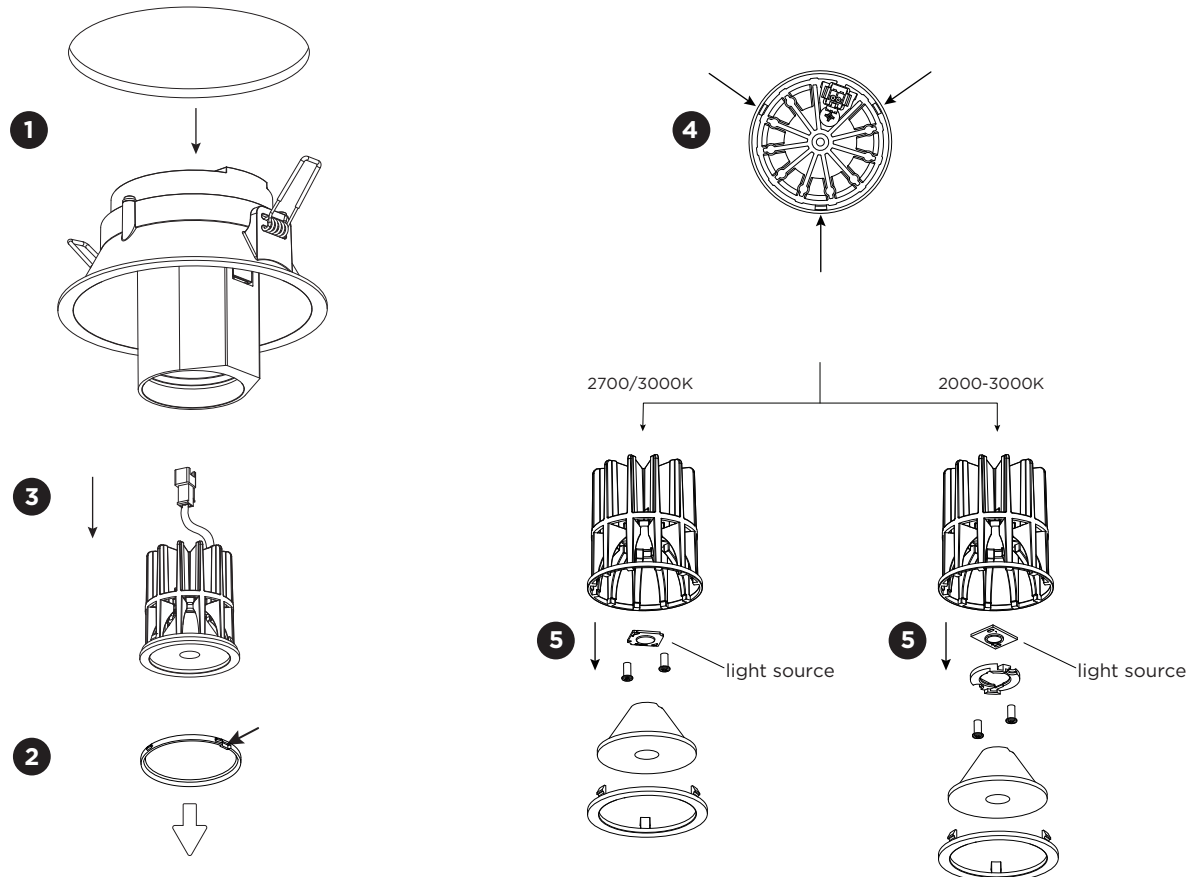
Driver must be powered off before connecting cables.

Before connecting the luminaire/LED module to the driver please make sure the driver is not powered but disconnected from the mains. The driver can only be powered when the luminaire/LED module is already connected. Disregarding this instruction might damage or even destroy the luminaire/LED module.



# BLIEK ROUND

INSTALLATION INSTRUCTIONS | NOVEMBER 2022



## DISMOUNTING AND RECYCLING INSTRUCTIONS

### Light source

- 1 Take the luminaire out of the ceiling hole and unplug the connector.
- 2 Push in the slot of the spring clip and pull it down.
- 3 Remove the LED module from the luminaire.
- 4 Push at the three points to loosen the front ring.
- 5 Take out the lens and unscrew the holder or light source to remove it.



The light source is replaceable by an authorized professional.  
For advice contact your Wever & Ducré customer service contact point.



This luminaire contains a light source with the energy class D.