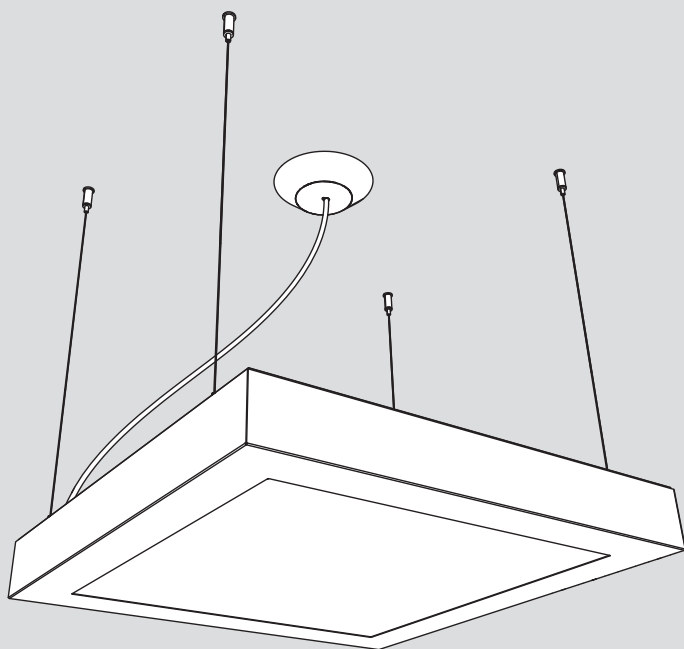


Artemide®

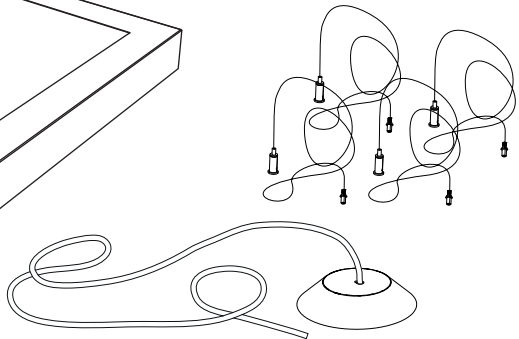
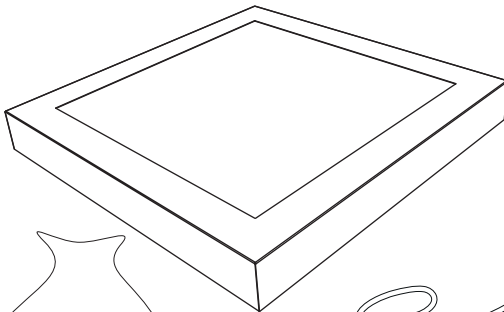
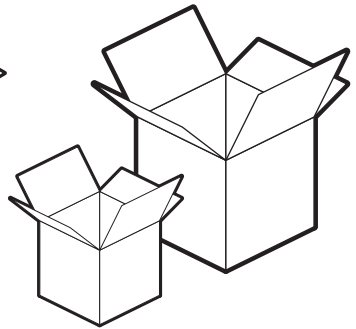
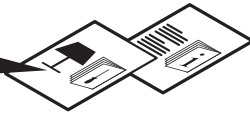
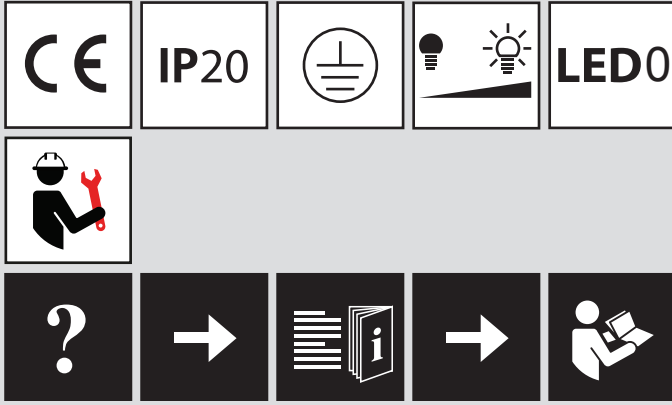
Altrove RGB LED

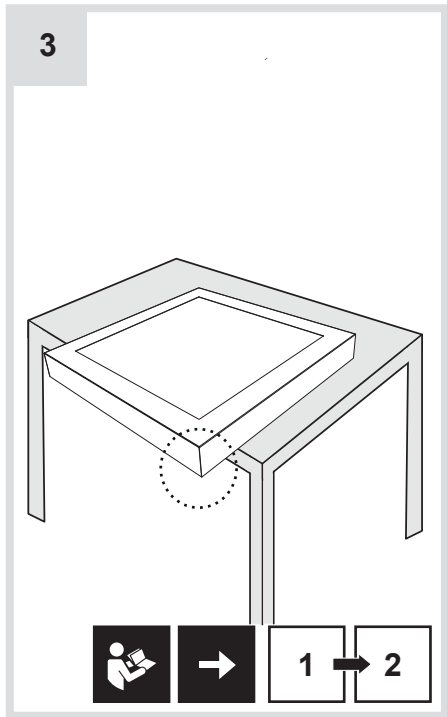
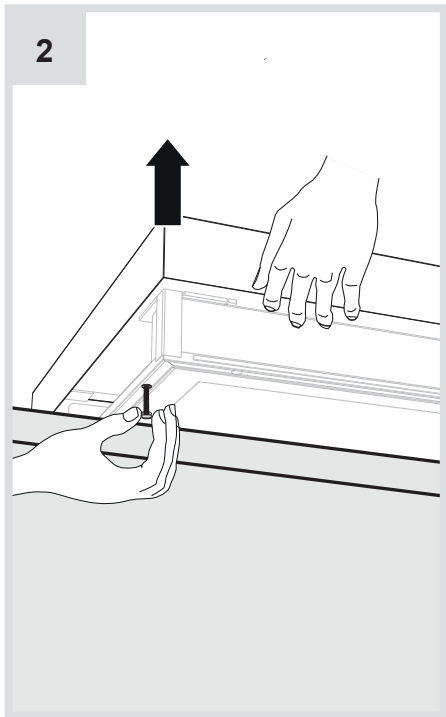
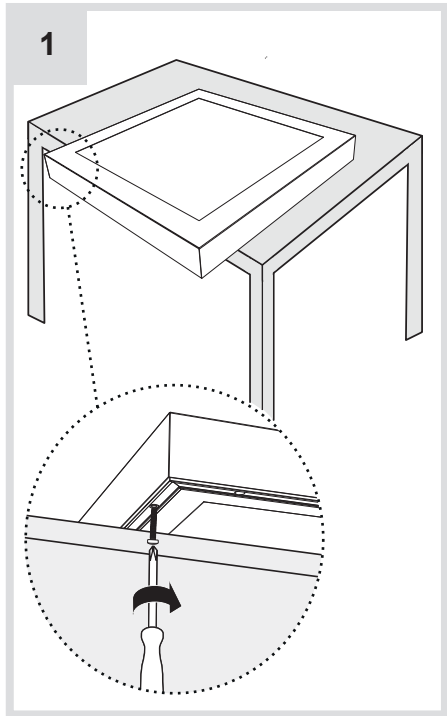
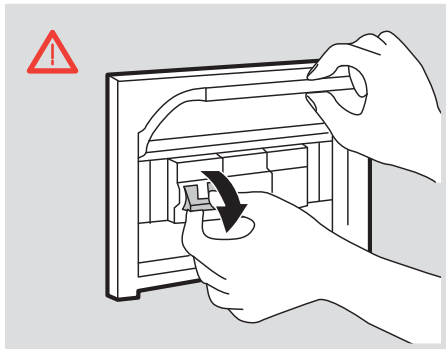
design
Carlotta de Bevilacqua



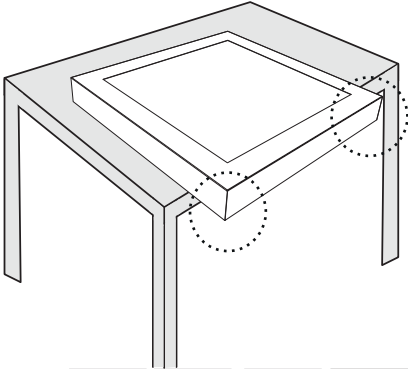


i

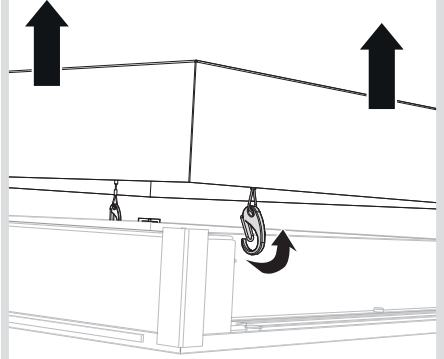




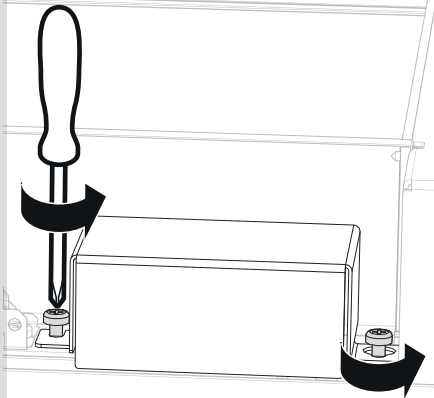
4



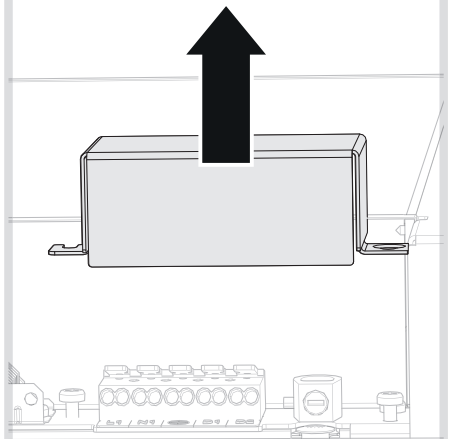
5



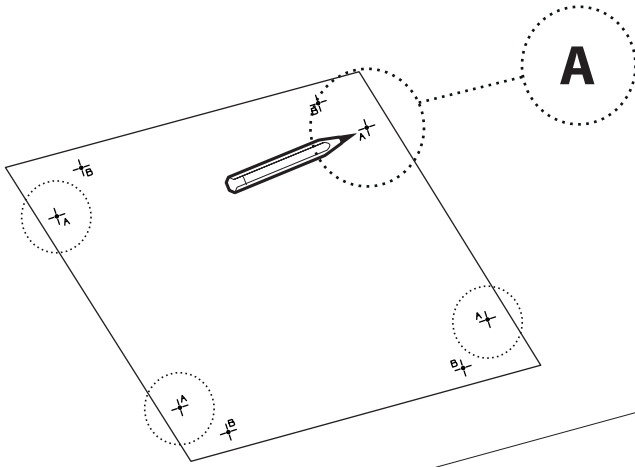
6



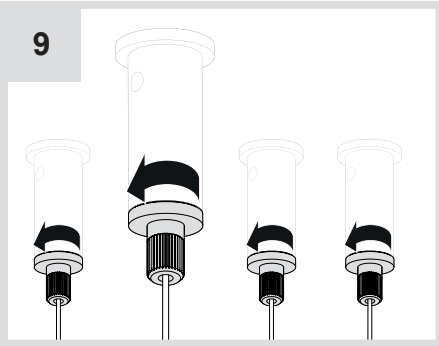
7



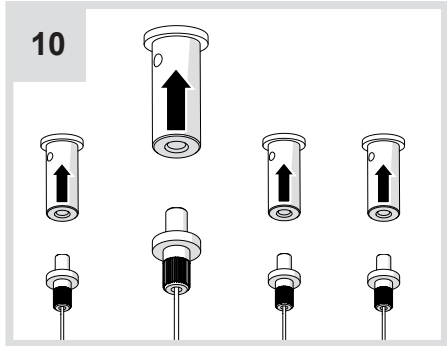
8



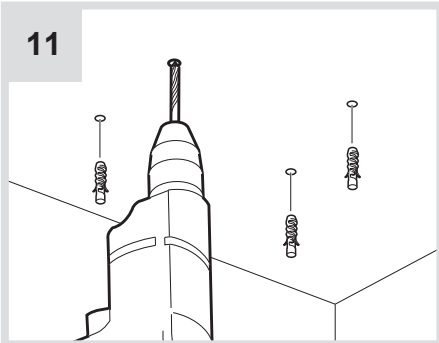
9



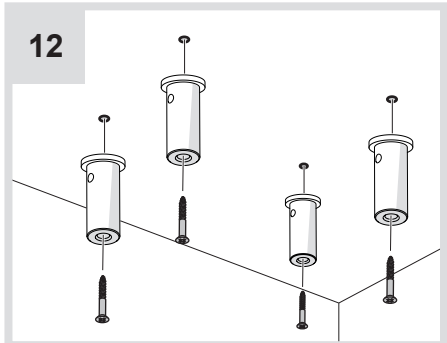
10

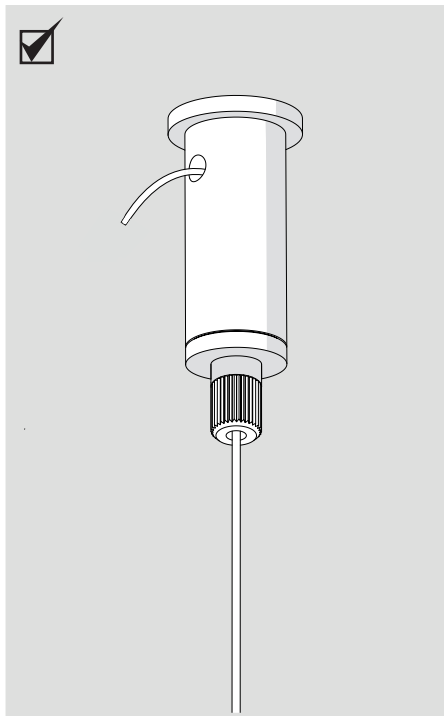
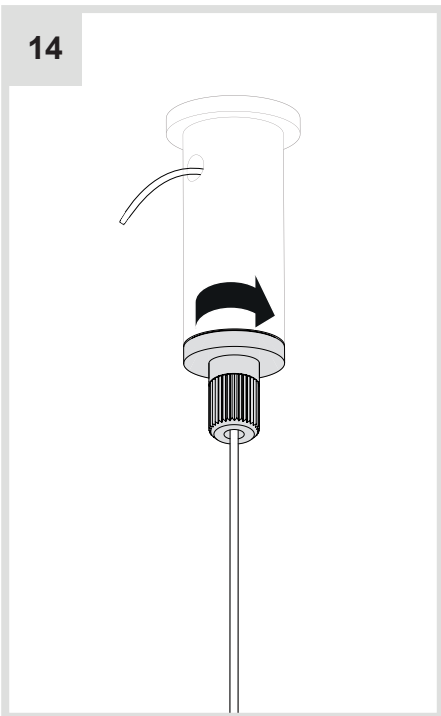
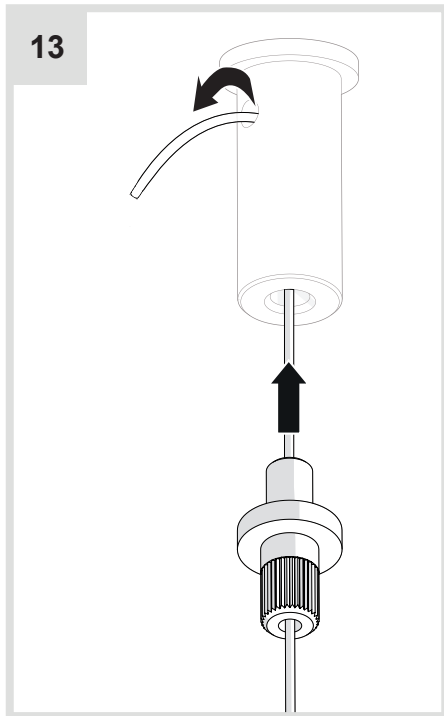
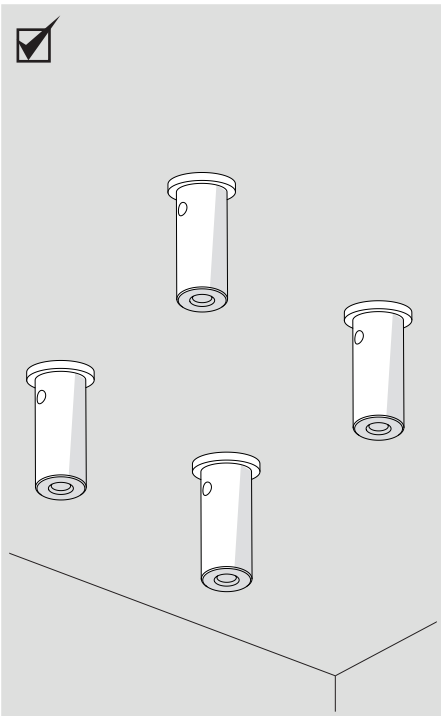


11

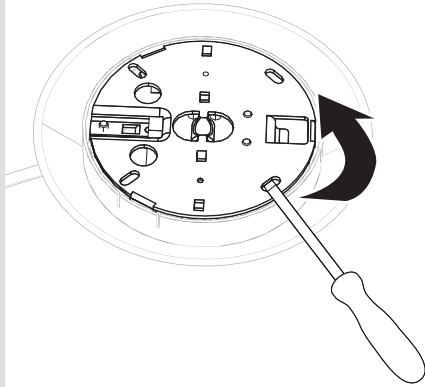


12

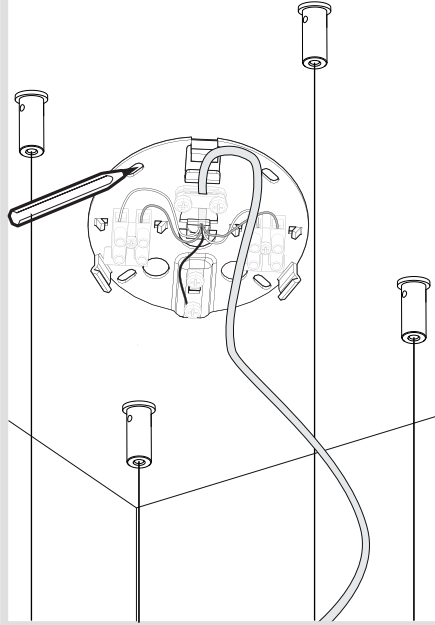




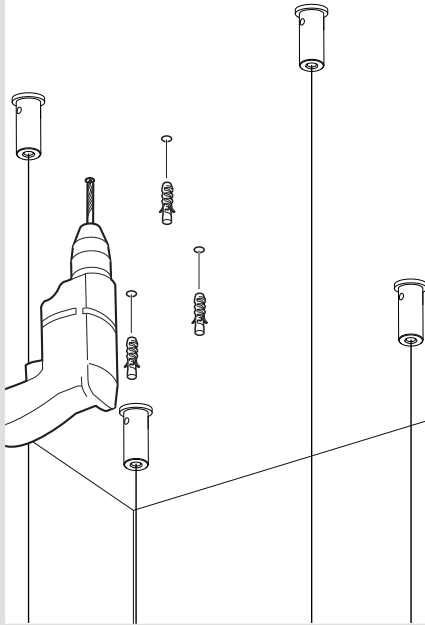
15



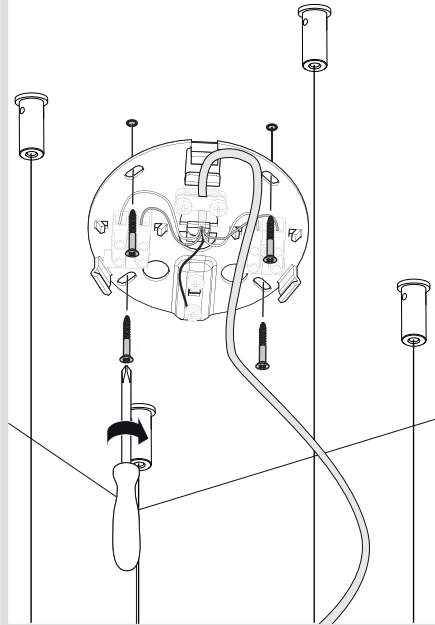
16



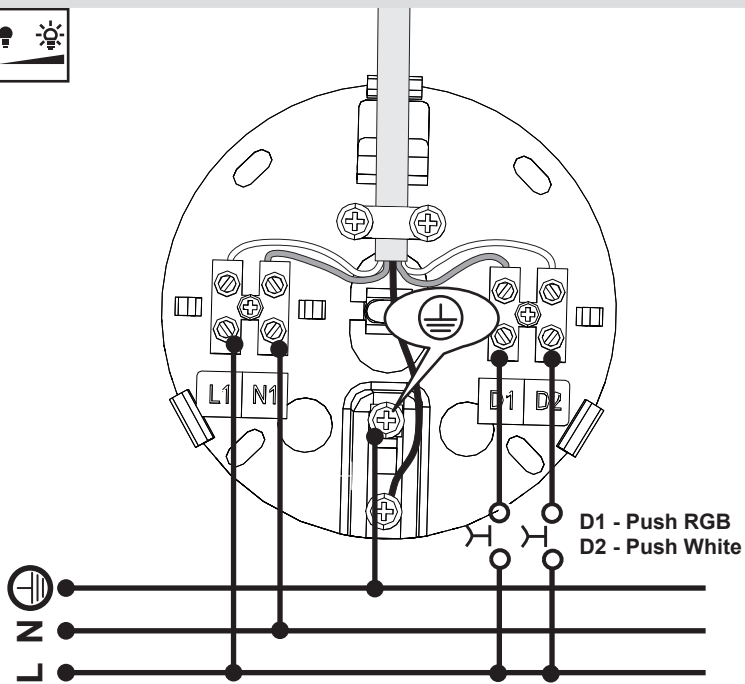
17



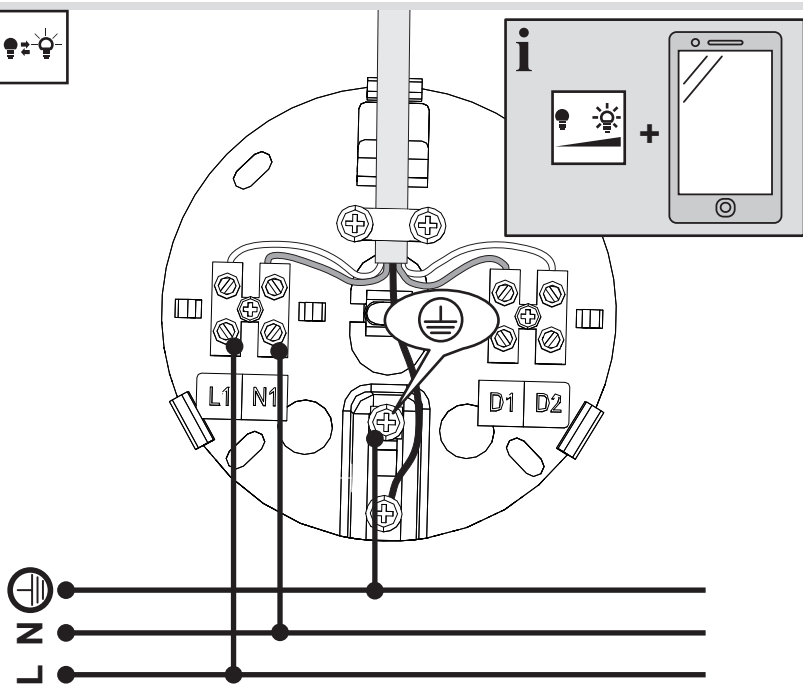
18



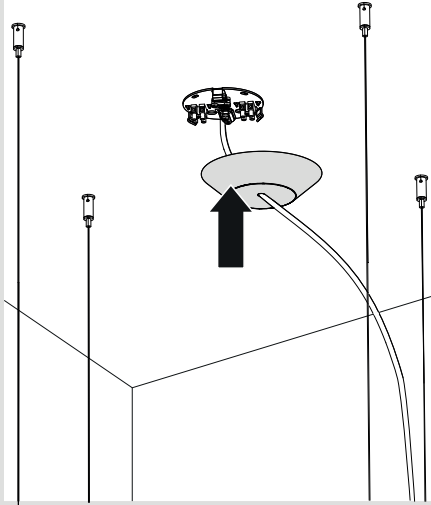
19a



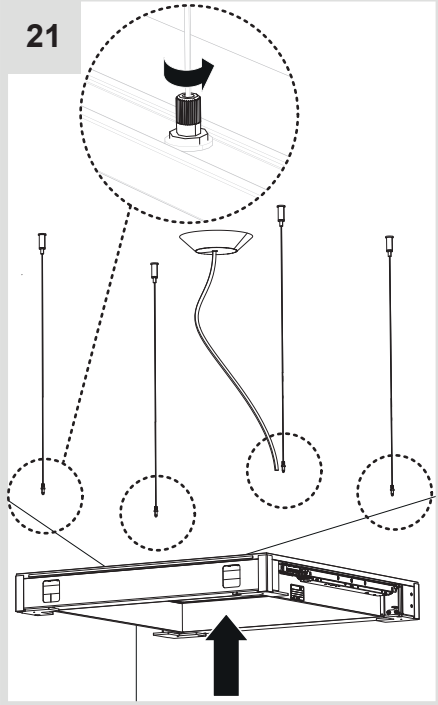
19b



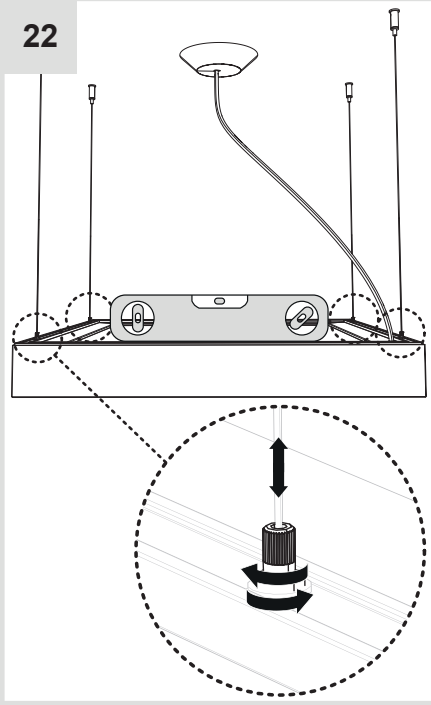
20



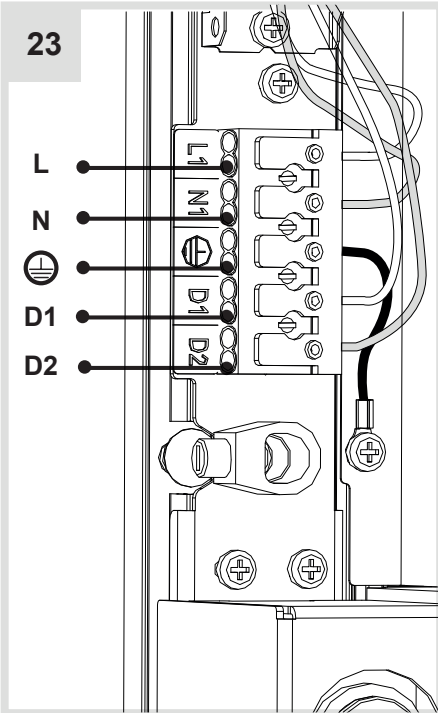
21



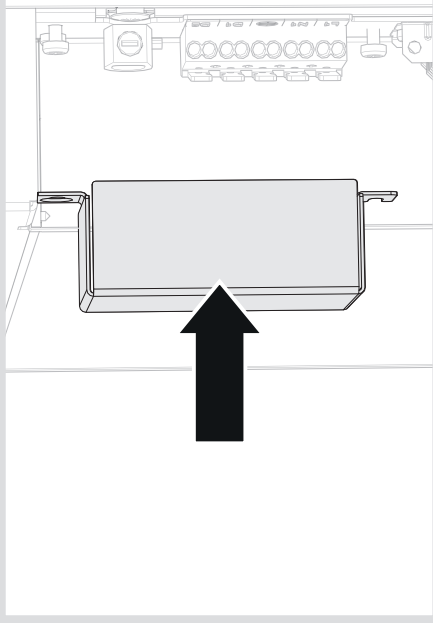
22



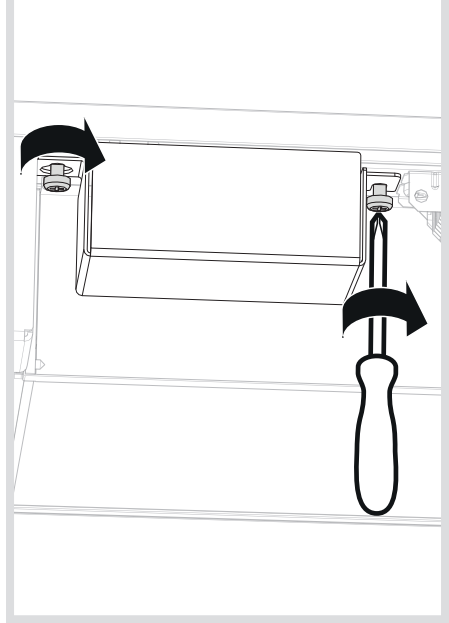
23



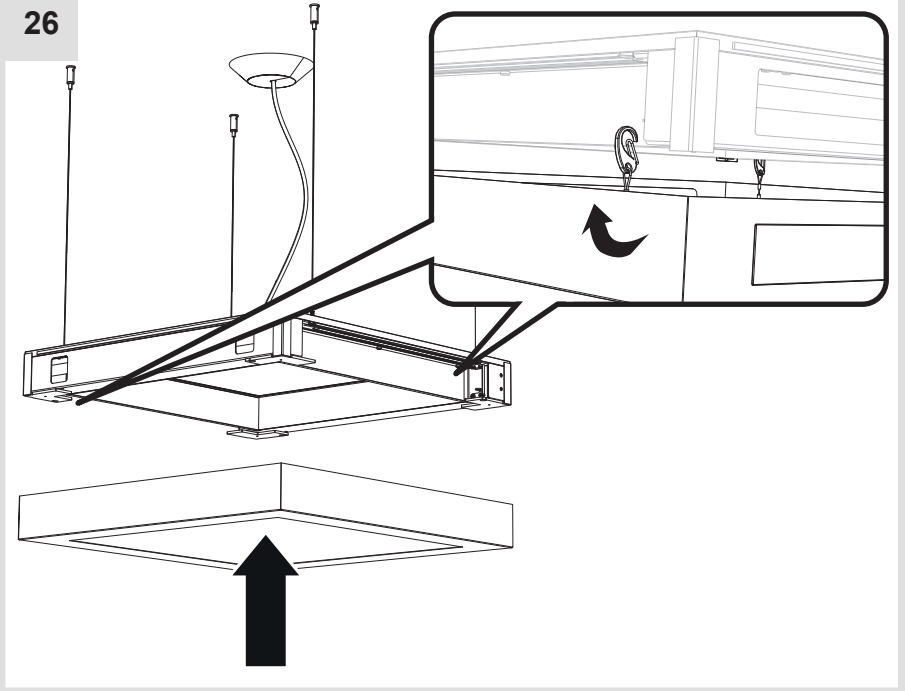
24



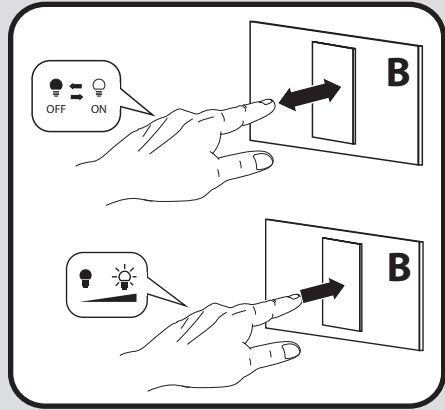
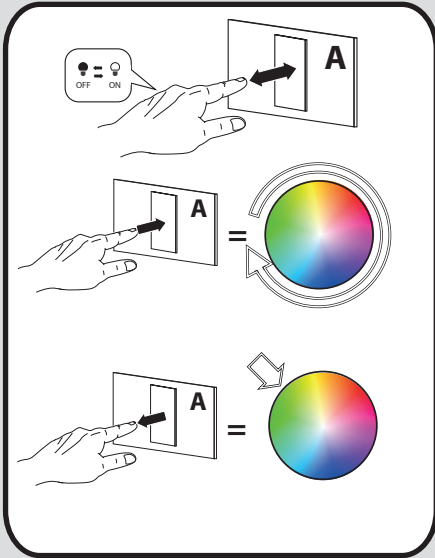
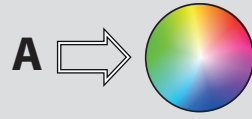
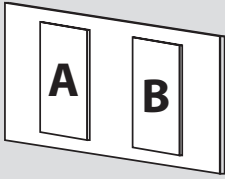
25



26

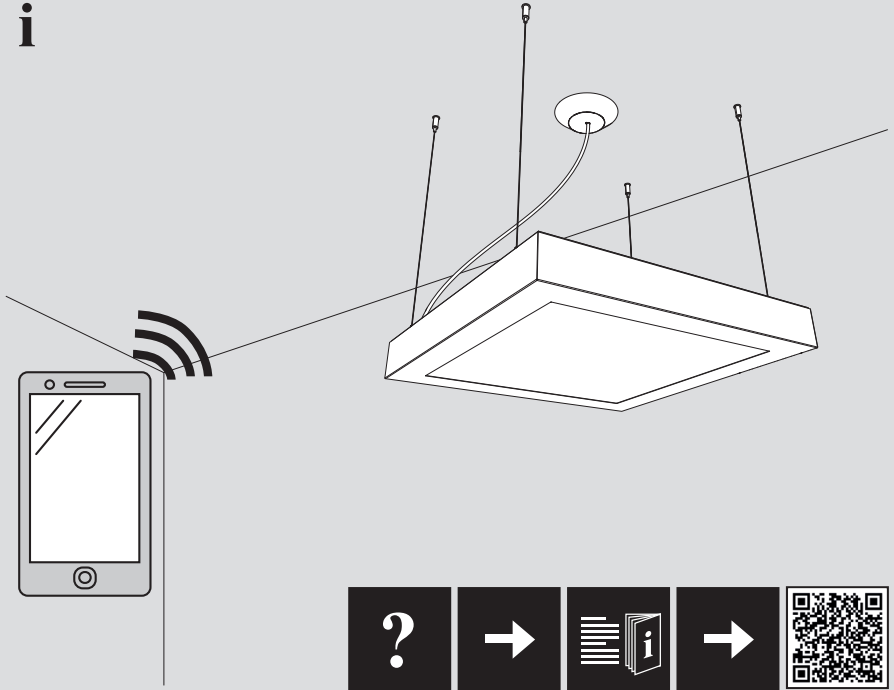


i



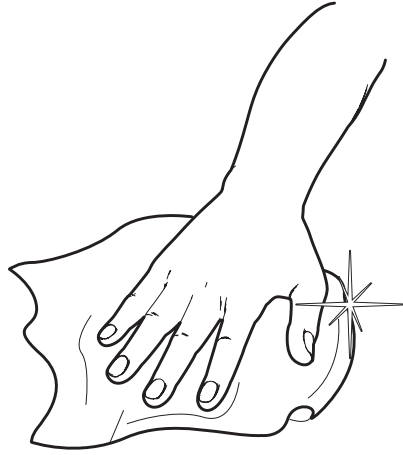
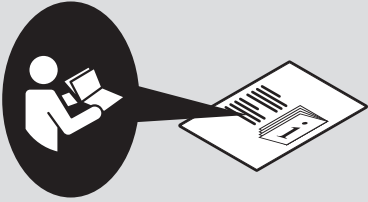


i



i





Artemide®



Artemide

via Bergamo, 18
20010 Pregnana M.se (MI)
ITALIA

tel. +39 02 935 181
fax +39 02 935 90 254
fax +39 02 935 90 496

www.artemide.com

VAT IT00846890150

cod. Y513000911B