

# FLOS

F3305033 Anthracite

## Kelvin Led Floor

Designed by Antonio Citterio/assistant Toan Nguyen, Antonio Citterio, 2011

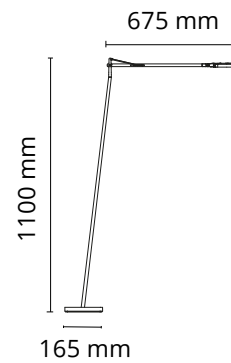


8W - 285lm - 2700K

Floor lamp. Head in pressofused aluminium, diffuser in PC. Power pack on plug, base cover in injection printed PC, counterweight in iron cut and painted by means of a cathaphoresic process. Directionable head. Three-step ON/OFF switch with Soft Touch technology. Base separated from the lamp body with safety locking pin.

Are you a professional and your project needs consulting and support?

[BOOK AN APPOINTMENT](#)



### Main specifications

Mounting	Floor
Environments	Indoor dry location
Light Source Type	LED
LED type	LED Module
Power (W)	8
System flux (lm)	285

### Physical

Colour	Anthracite
Length (mm)	675
Cord length (mm)	1500
Net weight (kg)	3.8
Package height (mm)	0
Package width (mm)	0
Package length (mm)	0
Package volume (m3)	0.04
IP internal	20

### Download

Mounting instructions	<a href="#">↓ PDF</a>
Mounting instructions	<a href="#">↓ PDF</a>
Spare Parts	<a href="#">↓ PDF</a>

### Photometric Files

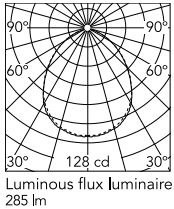
LDT / IES	<a href="#">↓ LDT</a>
-----------	-----------------------

### Technical Drawings

2D	<a href="#">↓ ZIP</a>
3D	<a href="#">↓ ZIP</a>



## Schematic light drawing



## Photometric

Lighting type	Direct
Light distribution	Symmetric
CCT (K)	2700

## Electrical

Insulation class	III
Frequency (Hz)	50/60
Main voltage (Vac)	100-240/24
LED voltage Vf (Vdc)	null
Driver	Remote included
Dimmable	Yes
Dimming type	Electronic 24V
Dimming interface	Dimmer Integrated
Plug type	Type G, Type A, Type C
Batteries inside	No

## Ecodesign and Energy Labelling

This product contains a light source of energy efficiency class F

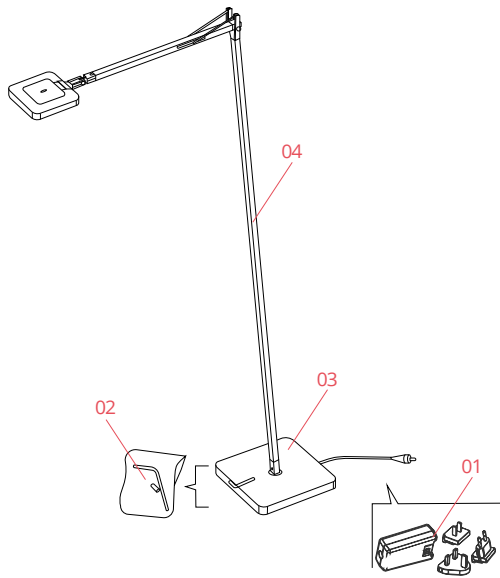


Replaceable (LED only) light source by a professional



Replaceable control gear by an end-user

## Spare Parts



- |     |                                      |           |
|-----|--------------------------------------|-----------|
| 01. | Black plug assembly kit & 24V driver | RF3320100 |
| 02. | Kit with screw and allen keys        | RF3320300 |
| 03. | Kelvin led gm anthracite base        | F3322033A |
| 04. | Kelvin led F anthracite body         | F3306033  |
| 10. | Assembly Coaxial Connector           | RF3390130 |

**DOWNLOAD**



RF3320100  
Black plug assembly kit & 24V driver



RF3320300  
Kit with screw and allen keys



F3322033A  
Kelvin led gm anthracite base



F3306033  
Kelvin led F anthracite body



RF3390130  
Assembly Coaxial Connector