



**10**

Design

CLAESSON KOIVISTO RUNE

**FontanaArte**



4.13"

6.50"



4.21"

6.5"



4.21"

4.13"



cod. 4299 (110V)

2x4,5W LED

2700K - CRI>80

4.13" x 4.21" x 6.50"



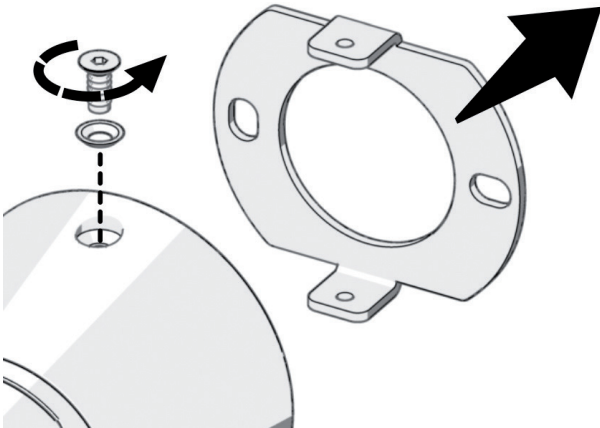
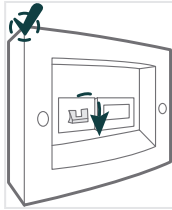
by **CLAESSON KOIVISTO RUNE**

FontanaArte spa  
Alzaia Trieste, 49  
I-20094 Corsico (MI), Italia  
Ph. +39 02 45121  
Fax +39 02 451 2660/990  
[www.fontanaarte.com](http://www.fontanaarte.com)  
[info@fontanaarte.com](mailto:info@fontanaarte.com)

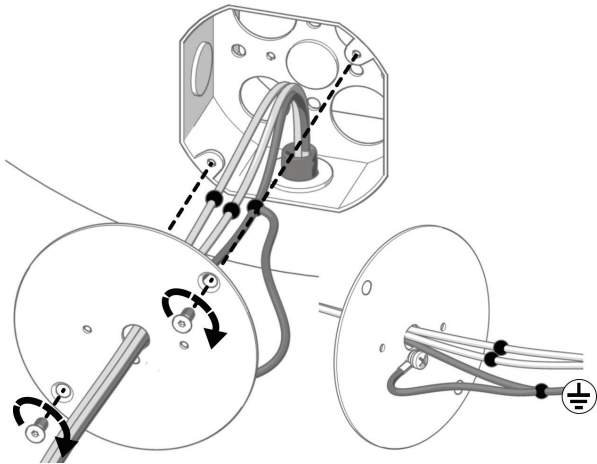
cod. 009429910



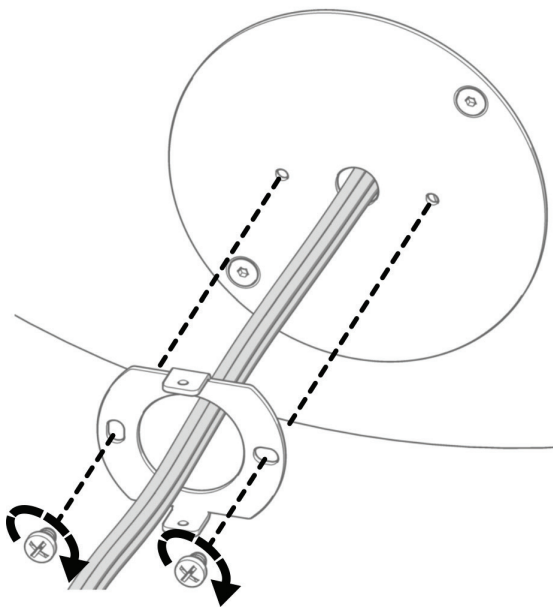
1



2



3



4

