

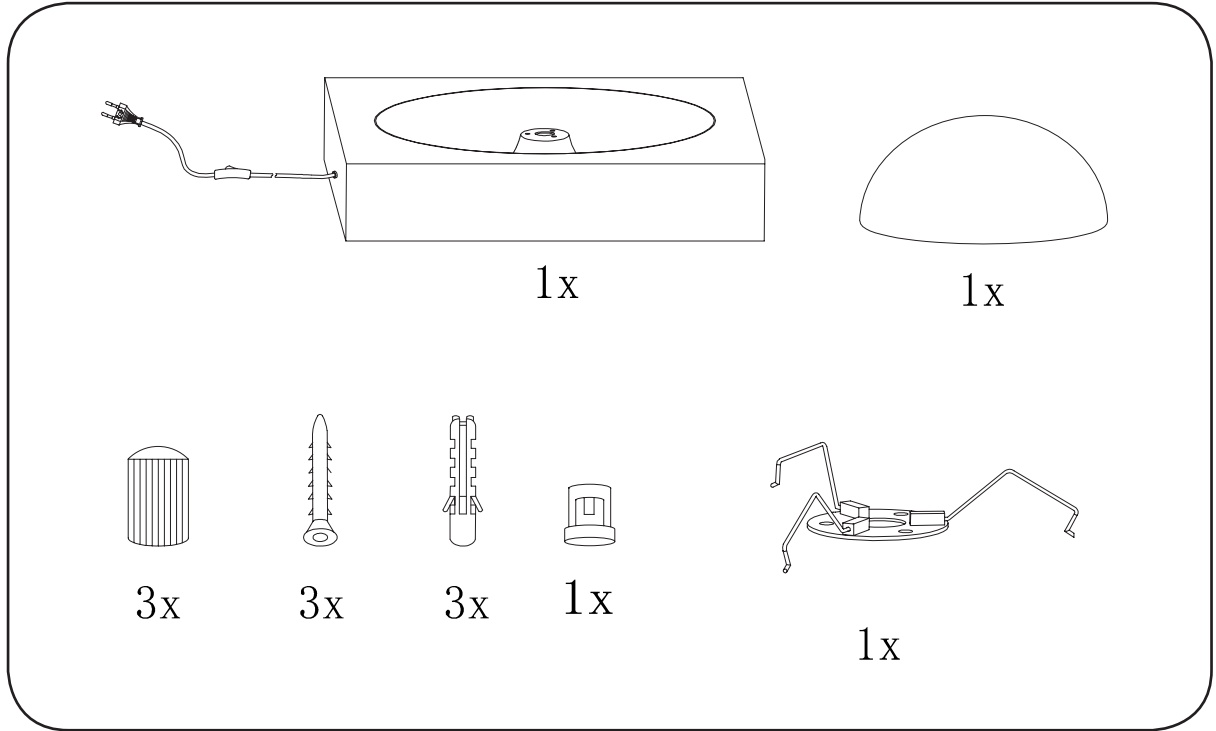
# Spiegel

*Design by* VERNER PANTON

*Please read thoroughly before assembly*

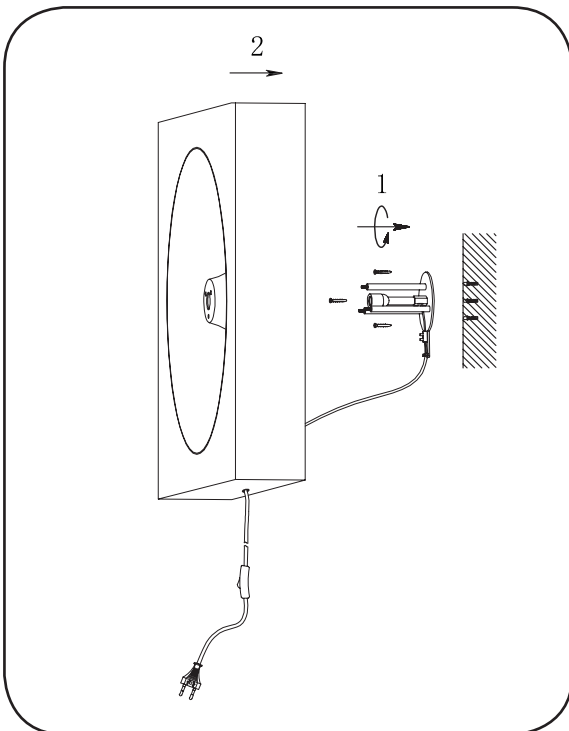
**IMPORTANT!**

**ALWAYS TURN OFF THE ELECTRICAL CURRENT BEFORE  
INSTALLING ANY FIXTURE!**

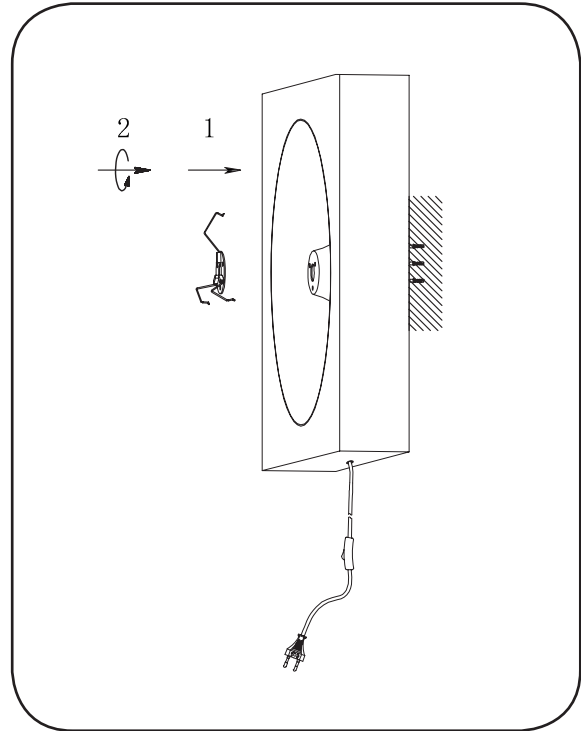


## STEPS FOR WALL MOUNTING

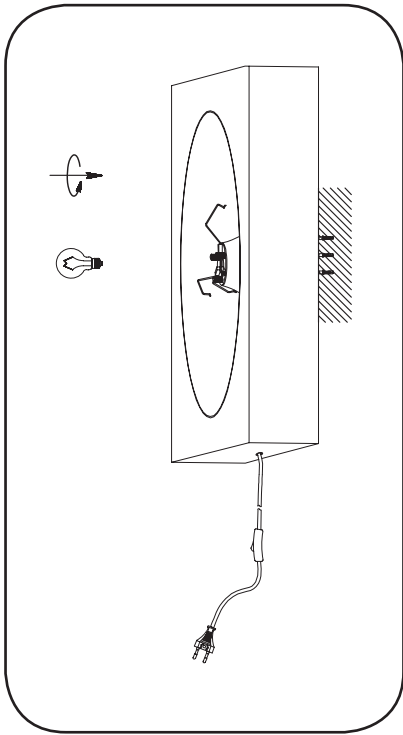
1



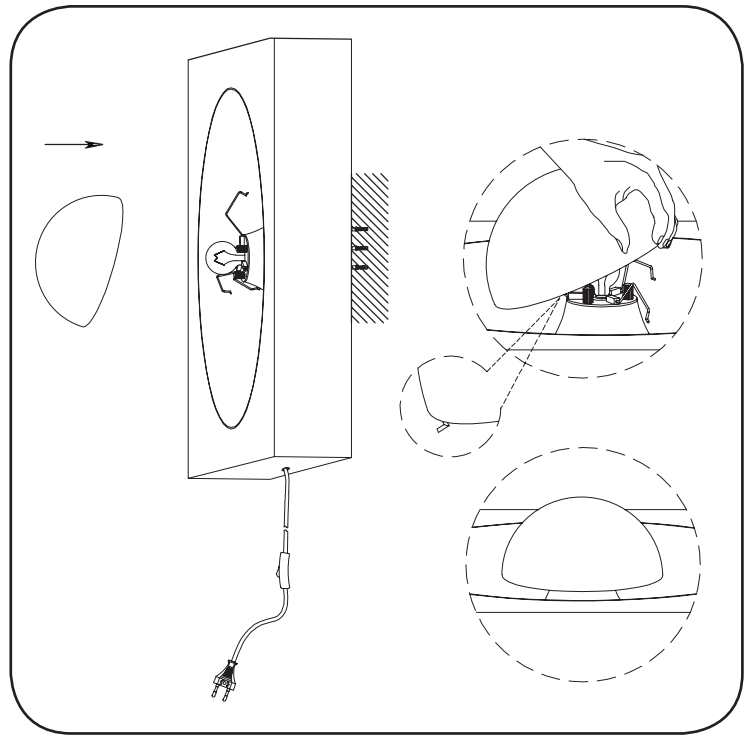
2



3

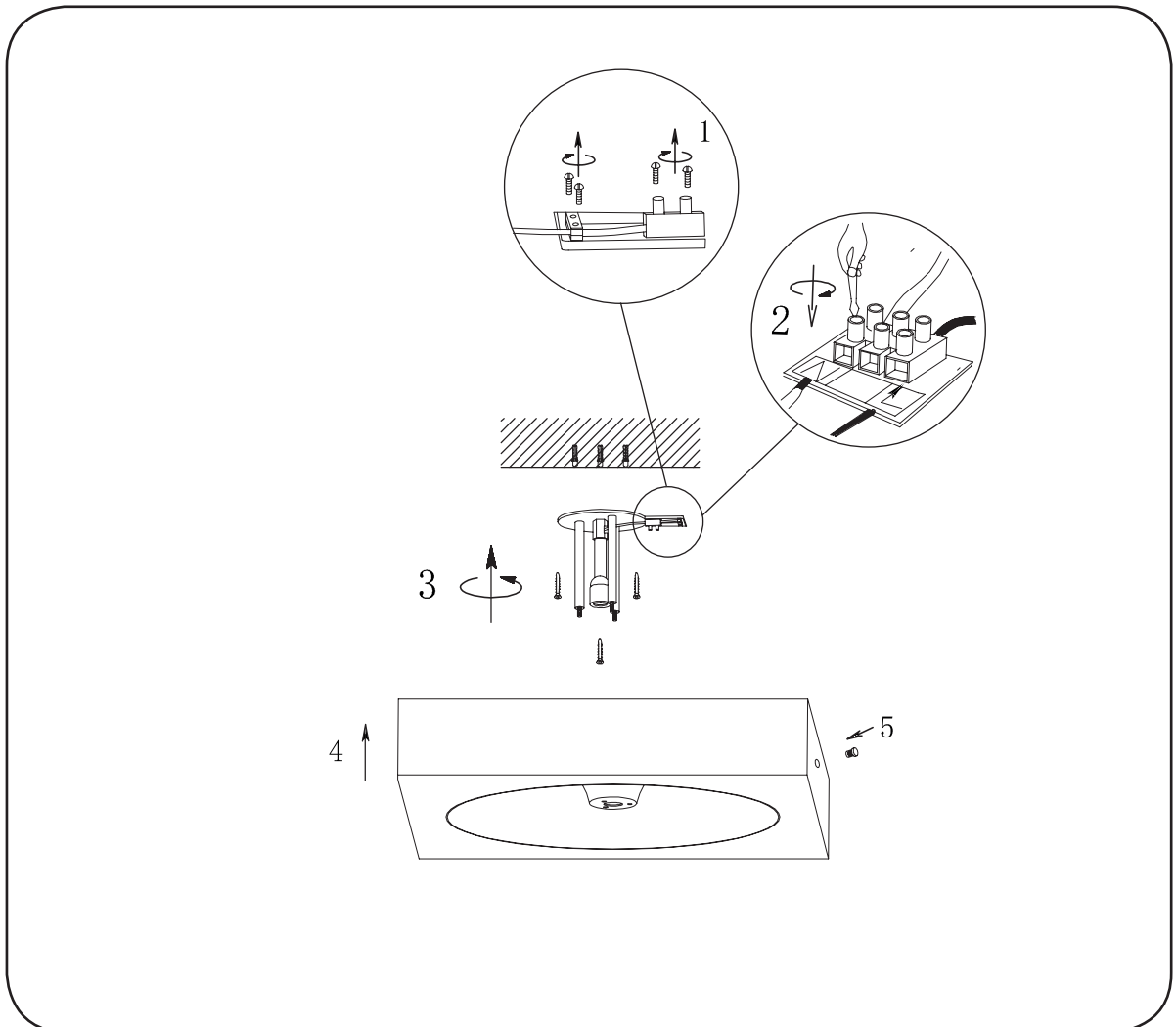


4

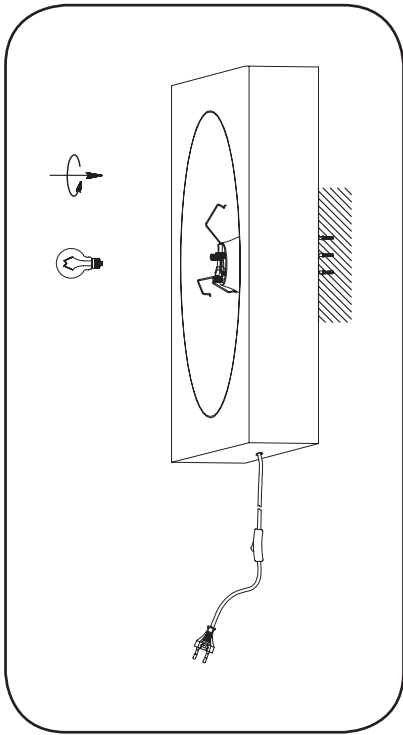


## STEPS FOR CEILING MOUNTING

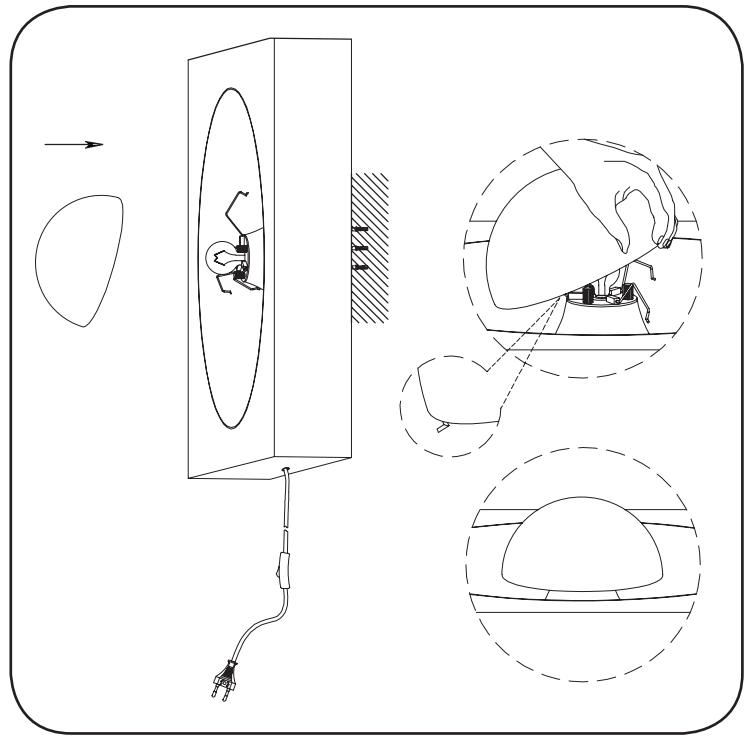
1



3

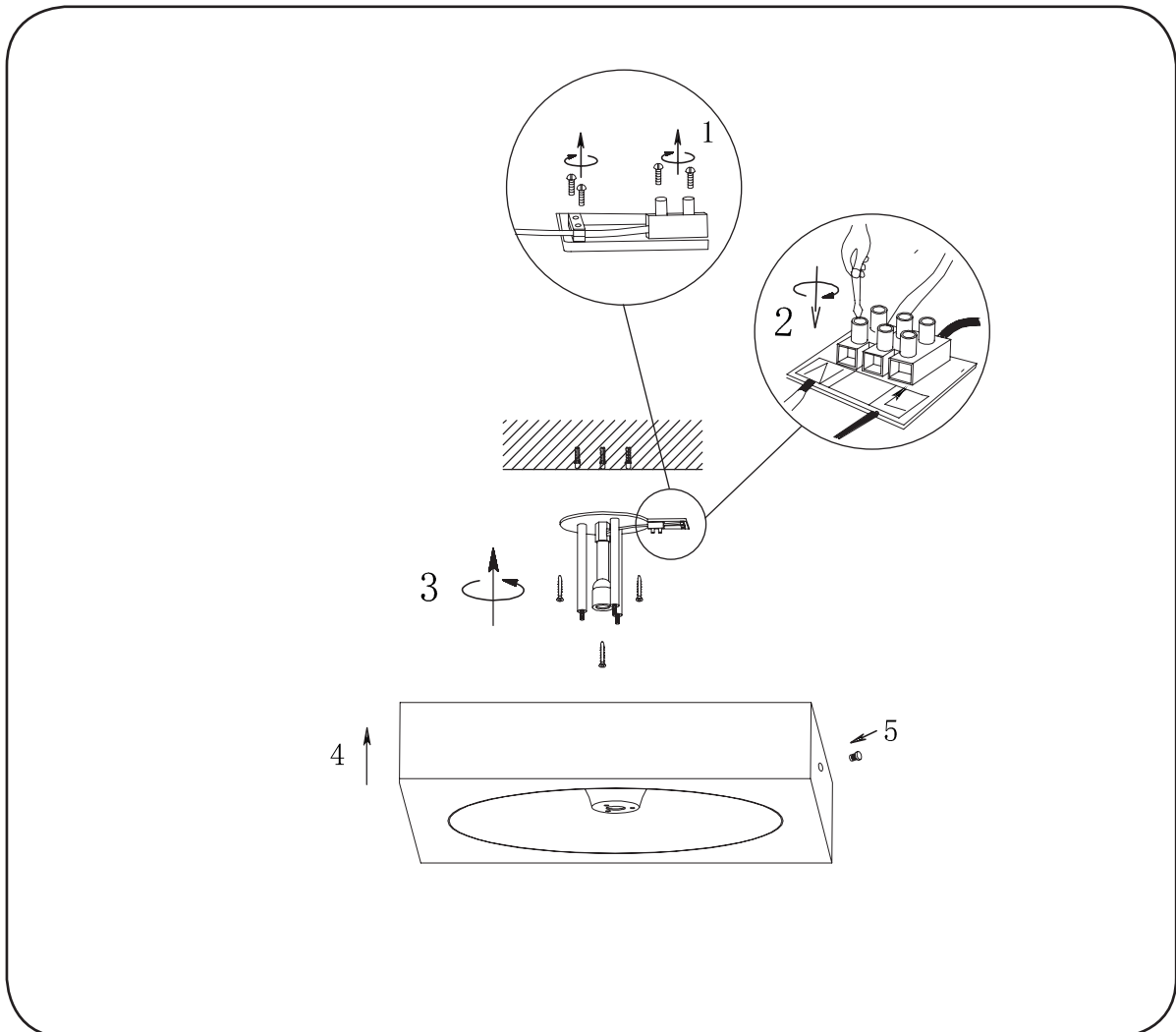


4

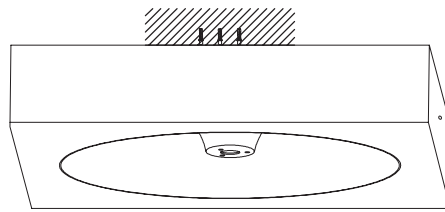


## STEPS FOR CEILING MOUNTING

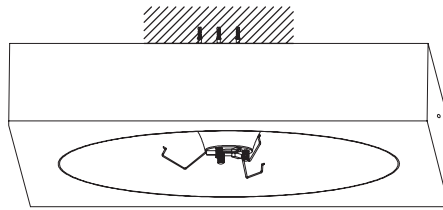
1



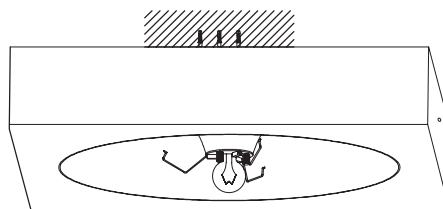
2



3



4



#### HOW TO CLEAN:

CLEAN WITH A SOFT CLOTH, WARM WATER AND A MILD DETERGENT. DO NOT USE ANY ABRASIVE MATERIALS.

---

#### IMPORTANT

IF THE EXTERNAL FLEXIBLE CABLE OR CORD OF THIS LUMINAIRE IS DAMAGED, IT SHALL BE EXCLUSIVELY REPLACED BY THE MANUFACTURER OR HIS SERVICE AGENT OR A SIMILAR QUALIFIED PERSON IN ORDER TO AVOID A HAZARD.

DESIGNED  
IN THE PAST  
**MADE FOR**  
**TOMORROW**

VERPAN ApS  
*Egeskovvej 29*  
8700 Horsens  
Denmark

[www.verpan.com](http://www.verpan.com)

[info@verpan.com](mailto:info@verpan.com)