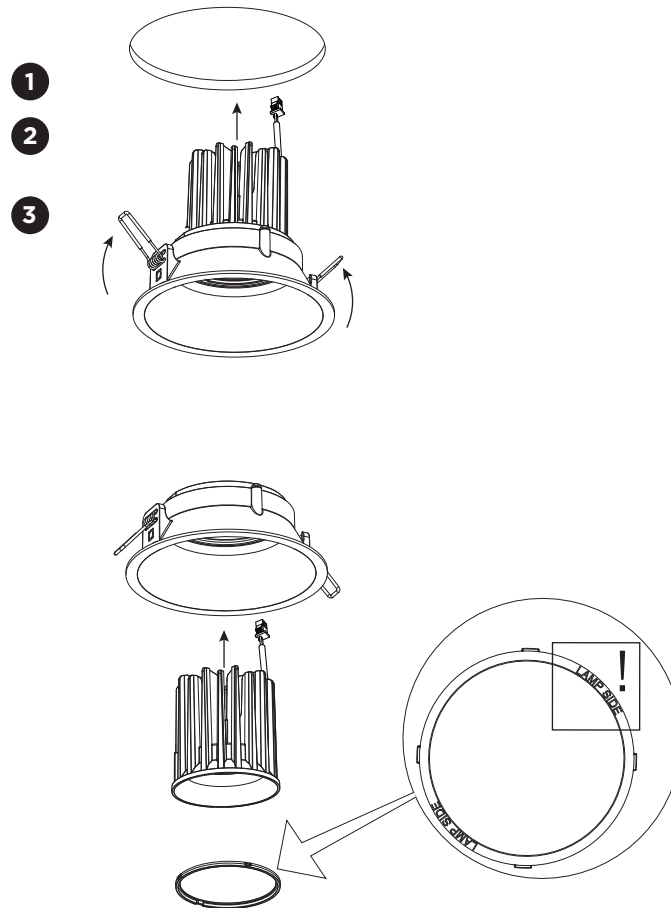
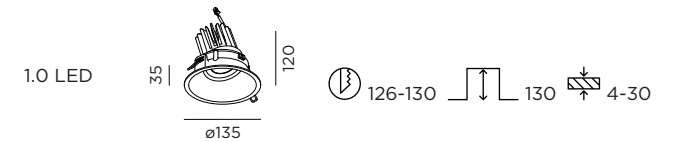


DEEP ADJUST fort

INSTALLATION INSTRUCTIONS | MAY 2020



DIMENSIONS

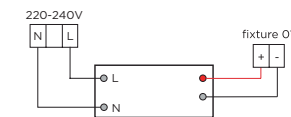


MOUNTING INSTRUCTION

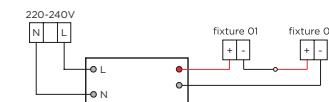
1 Make a hole in the ceiling according to the prescribed dimensions.

2 POWER CONNECTION

Always use a driver according to the specifications of the LED module.



SERIAL CONNECTION

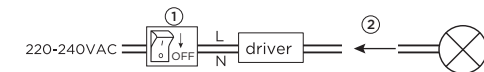


3 Push the springs up and insert the fixture in the ceiling hole.



Driver must be powered off before connecting cables.

Before connecting the luminaire/LED module to the driver please make sure the driver is not powered but disconnected from the mains. The driver can only be powered when the luminaire/LED module is already connected. Disregarding this instruction might damage or even destroy the luminaire/LED module.



PB19-010-657-00_V0