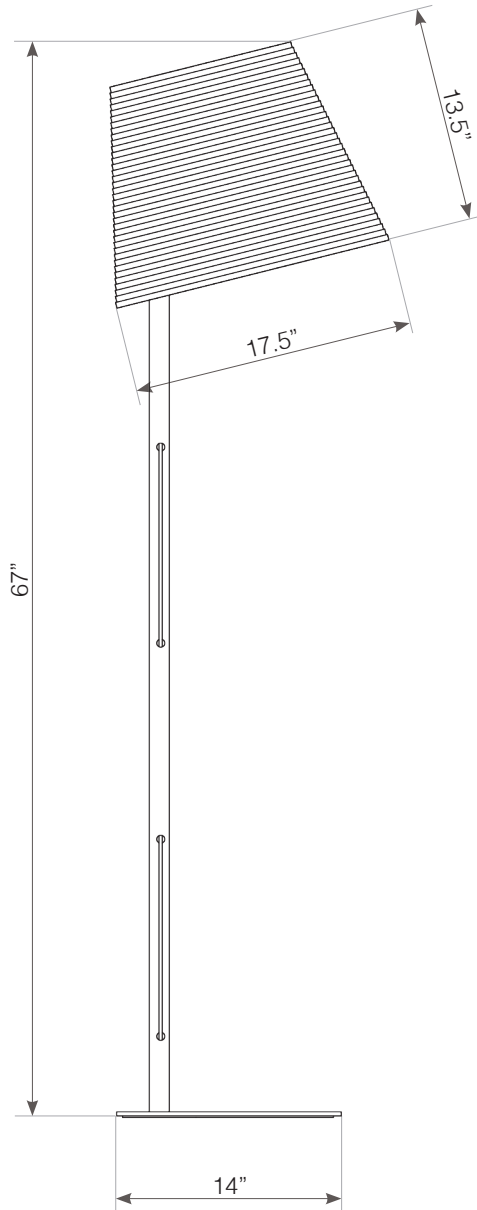




3220 1st ave s #400, seattle, wa 98134 | 206.420.3912  
seattle@graypants.com | graypants.com



**plug cord set + switch**

*INCLUDES AN 8' CLOTH CORD WITH A STANDARD WALL PLUG AND HAND SWITCH.*

# TILT / floor lamp



100W maximum incandescent A19  
E26 (120V)

*Equivalent W dimmable LED bulbs compatible.  
2700K color temperature recommended.*



recycled cardboard



proudly designed and made in seattle | usa



responsible handmade quality <sup>1</sup>



nontoxic fire retardant treated <sup>2</sup>



contains blackened steel



compressed air recommended cleaning



use in dry location only



designed to recycle



patent pending

UL available <sup>3</sup>

<sup>1</sup> Scraplight shades are non-toxic and are handmade using responsible, low-impact practices. Because all Scraplights are handmade, dimensions may vary slightly.

<sup>2</sup> Scraplight shades are treated with No-Burn® fire retardant. All No-Burn® spray coatings are GREEN with low to zero VOCs, and all carry a Class-A fire rating.

<sup>3</sup> Portable lamps fully UL-listed for commercial projects require a synthetic cord sleeving. Please contact us for more information.



SCRAPLIGHTS™

responsibly reimagining cardboard boxes