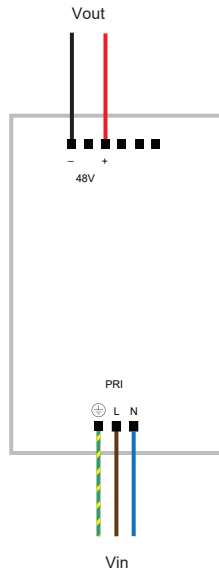


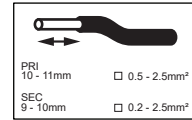
# LED Gear 48V 240W - DIN RAIL

12408430

WIRING diagram

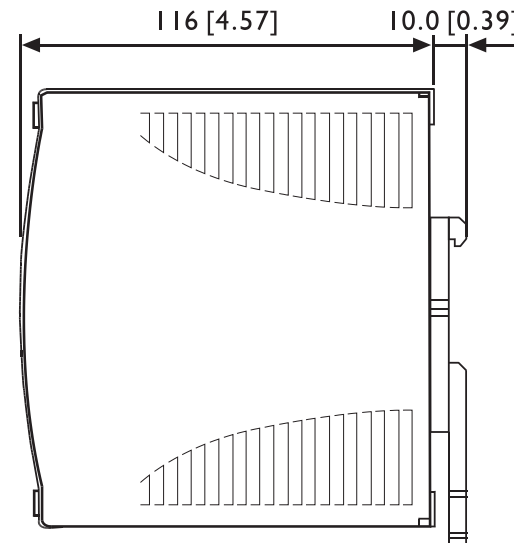
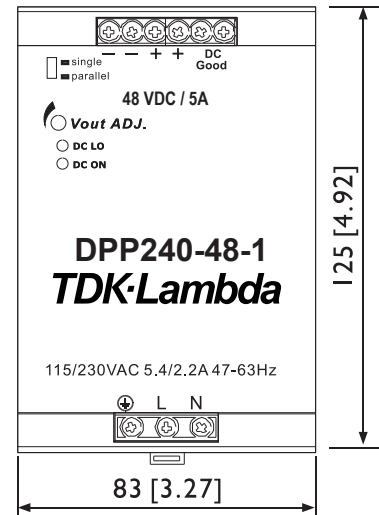


## Wiring



## Dimensions

mm [inch]



## Rated Voltage

90-132VAC / 180-264VAC (auto select)

## Frequency

47...63 Hz

## Output Voltage

48V

## Power

240 W

## Temperature

Ta = -40°C...+71°C

## max. Efficiency

90 %

## Reference Norms

EN 61000-3-2  
IEC 60068-2-6  
IEC 60068-2-27  
EN 55022 class B  
UL508 Listed  
UL60950-1  
EN60950-1