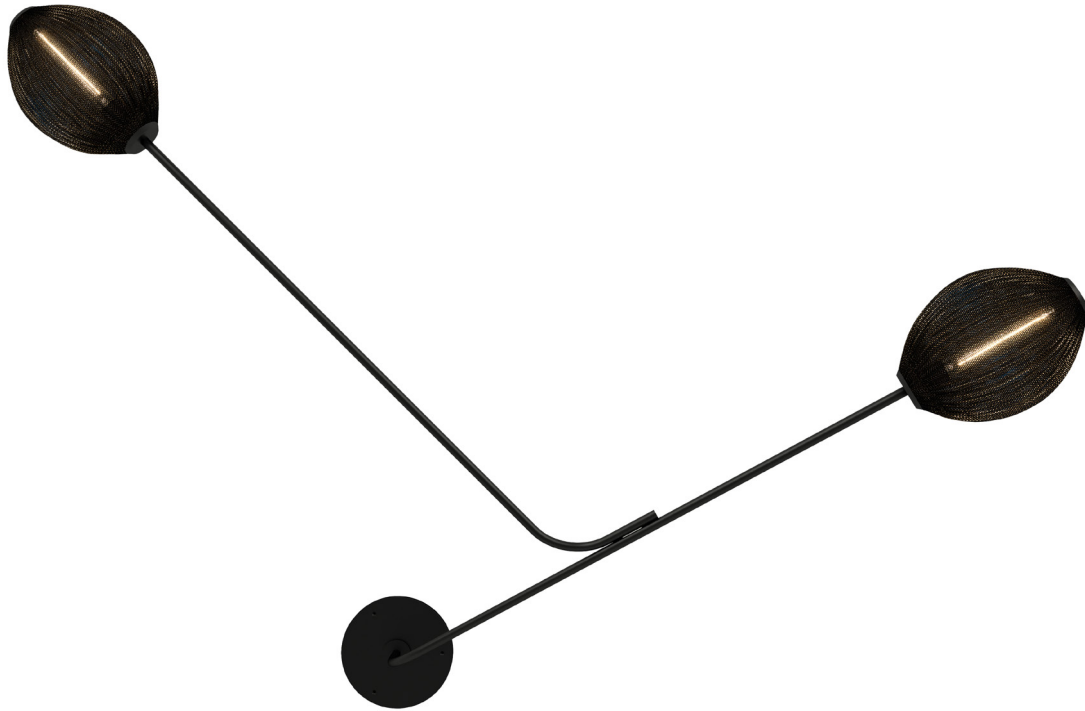

Satellite Wall Lamp, EU

Designed by Mathieu Matégot - 1953



ITEM NUMBER	Satellite Wall Lamp, EU (Soft Black Semi Matt)	10056952
	Satellite Wall Lamp, EU (Cream White Semi Matt)	10056953
	Satellite Wall Lamp, EU (Black & White)	10078939

DESCRIPTION

During a period of forward-looking post-war optimism, Mathieu Matégot (1910–2001) put his own material innovation, Rigitulle, to work in his Satellite Collection, named with nod and a wink to the scientific progress in France at the time. Rigitulle enabled Matégot to reinvent the traditional lampshade, conceiving a playful new typology for lighting.

The Satellite Wall Lamp (1953) comprises two shades made from his perforated steel, concertina-folded into ovoid forms, and mounted onto elongated sculptural metal arms. Today, after almost 70 years, GUBI is putting this daring design back into production alongside the Satellite Pendant and Flower Pots and Bowl – also made from Rigitulle – and Matégot's ingenious furniture designs, such as the Démon Shelves and Copacabana and Nagasaki Chairs, all of which are already part of the GUBI Collection.

Materials & Finishes

SHADE Creamy White, Graphite Black



BASE

Graphite Black



CORD SHAPE

Oval

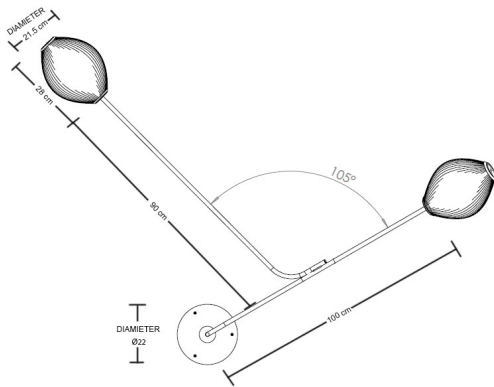
CORD COLOUR

Black Textile

MATERIALS

Steel, Metal

Dimensions & Weight



BASE ARM

100 cm / 39.4 in

SHADE DIAMETER

Ø21.5 cm / 8.5 in

SHADE HEIGHT

28 cm / 11 in

CORD LENGTH

180 cm / 70.9 in

TOTAL WEIGHT

4.1 kg / 9 lbs

Packaging - Base

NUMBER OF PARCELS

1

PACKAGING LENGTH

146 cm / 57.5 in

PACKAGING WIDTH

29 cm / 11.4 in

PACKAGING HEIGHT

31 cm / 12.2 in

PACKAGING WEIGHT

3.9 kg / 8.6 lbs


GROSS WEIGHT

8 kg / 17.6 lbs

Electrical Specifications

BULB SOCKET	E27
RECOMMENDED BULB	5W LED, T30, L185 - 250lm
DIMMER	On / Off on cord
VOLTAGE	240V
BULB INCLUDED	Yes
PLUG TYPE	EU - Type C, 2pin

Test & Certifications

CERTIFICATION	
ISOLATION CLASS	II
IP CLASSIFICATION	20
