

FLOS

F9705009 White

Pochette Up/Down Led

Designed by Rodolfo Dordoni, 2003

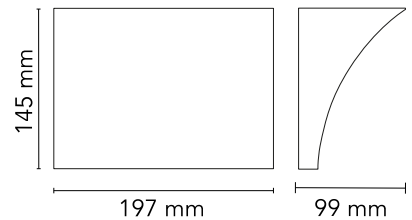


21.5W - 1744lm - 2700K - CRI> 90

Wall lamp providing direct/indirect light. Pressure die-cast Zamak alloy structure, matte gray, shiny white or chrome plated finish. Molded steel, galvanized white wall attachment containing the wall attachment system as well as the electrical devices.

Are you a professional and your project needs consulting and support?

[BOOK AN APPOINTMENT](#)




Main specifications

| | |
|-------------------|---------------------|
| EAN | 8059607024249 |
| Mounting | Wall |
| Environments | Indoor dry location |
| Light Source Type | LED |
| LED type | LED Module |
| Power (W) | 21.5 |
| System flux (lm) | 1744 |

Physical

| | |
|---------------------|-------|
| Colour | White |
| Length (mm) | 197 |
| Net weight (kg) | 1.7 |
| Package height (mm) | 135 |
| Package width (mm) | 265 |
| Package length (mm) | 180 |
| Package volume (m3) | 0.01 |
| IP internal | 20 |

Download

[Mounting instructions](#)  PDF

[Spare Parts](#)  PDF

Photometric Files

[LDT / IES](#)  LDT

Technical Drawings

[2D](#)  ZIP

[3D](#)  ZIP



Schematic light drawing



Photometric

| | |
|--------------------|------------|
| Light distribution | Asymmetric |
| CCT (K) | 2700 |
| CRI> | 90 |

Electrical

| | |
|--------------------|--|
| Insulation class | I |
| Frequency (Hz) | 50/60 |
| Main voltage (Vac) | 220-240 |
| Driver | Integrated |
| Dimmable | Yes |
| Dimming type | Dimmable 1-10V |
| Dimming interface | Remote Dimmable (Dimmer Not Included) |
| Batteries inside | No |

Ecodesign and Energy Labelling

This product contains a light source of energy efficiency class E



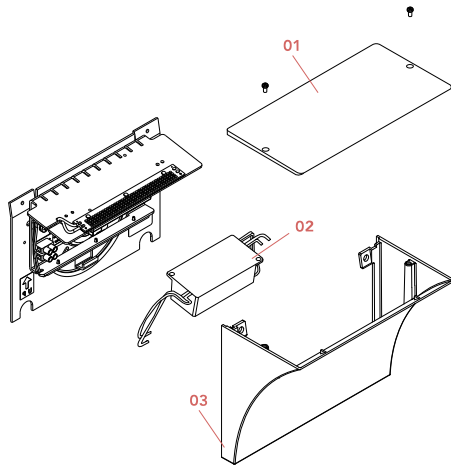
Replaceable (LED only) light source by a professional



Replaceable control gear by a professional

Spare Parts

- 01. Up transparent diffuser RF25606
- 02. Led power supply RF25062



DOWNLOAD



RF25606

Up transparent diffuser



RF25062

Led power supply