

FLOS

■ F6563030 Black

Tab Table

Designed by Edward Barber and Jay Osgerby, 2011



9W - 347lm - 2700K - CRI> 80

Table and floor lamps providing direct lighting with adjustable head. Body in painted pressofused aluminium. Multi-led diffuser in specially designed PMMA to avoid the Multi Shadow effect and dazzle. Head rotation from $\pm 90^\circ$.

Are you a professional and your project needs consulting and support?

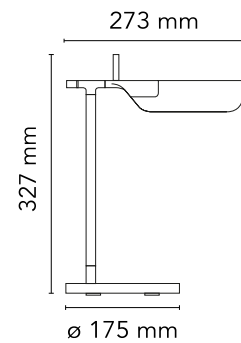
[BOOK AN APPOINTMENT](#)

Main specifications

EAN	8059607006535
Mounting	Table
Environments	Indoor dry location
Light Source Type	LED
LED type	LED Module
Power (W)	9
System flux (lm)	347

Physical

Colour	Black
Length (mm)	175
Net weight (kg)	0.91
Package height (mm)	190
Package width (mm)	320
Package length (mm)	410
Package volume (m3)	0.02
IP internal	20



Download

- [Mounting instructions](#) PDF
- [Mounting instructions](#) PDF
- [Spare Parts](#) PDF

Photometric Files

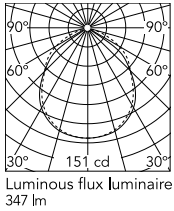
- [LDT / IES](#) LDT

Technical Drawings

- [2D](#) ZIP



Schematic light drawing



Photometric

Light distribution	Asymmetric
CCT (K)	2700
CRI>	80

Electrical

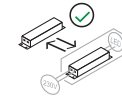
Insulation class	III
Frequency (Hz)	50/60
Main voltage (Vac)	100-240/24
LED voltage Vf (Vdc)	null
Driver	Remote included
Dimmable	Yes
Dimming type	Electronic 24V
Dimming interface	Dimmer Integrated
Plug type	Type G, Type A, Type C
Batteries inside	No

Ecodesign and Energy Labelling

This product contains a light source of energy efficiency class D

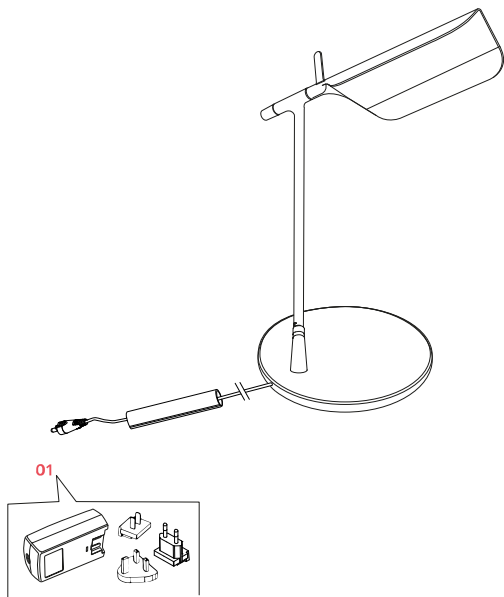


Replaceable (LED only) light source by a professional



Replaceable control gear by an end-user

Spare Parts



01. Black plug assembly kit & 24V driver

RF3320100

DOWNLOAD



RF3320100

Black plug assembly kit & 24V
driver