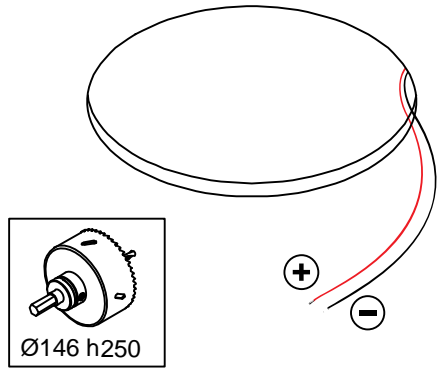
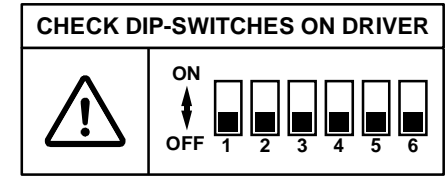
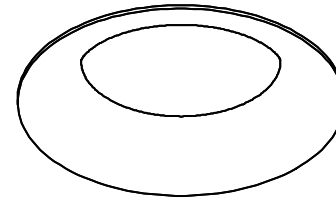
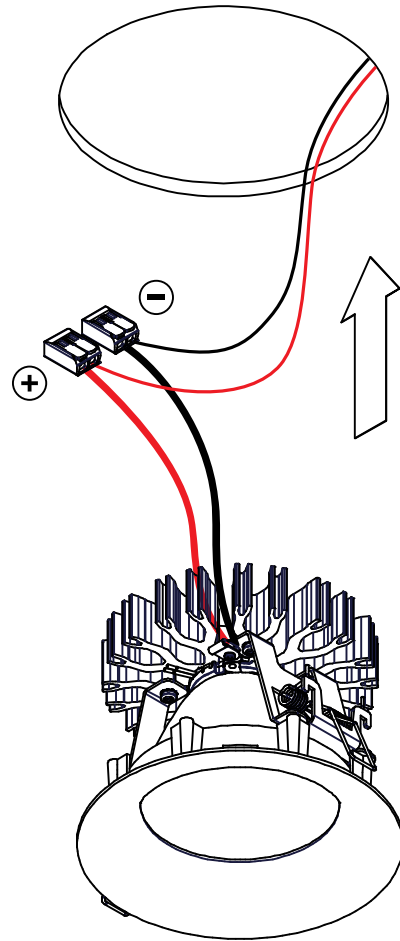


Smart Cake 160 IP GE

130040XX_130041XX_130042XX_130043XX_130044XX_130045XX_130046XX_130047XX_130048XX_130050XX_130051XX_130052XX



Drive Current (mA)	Forward Voltage		Power (W)
	min (Vf)	max (Vf)	
500	30,6	35,4	16,0
700	31,2	36,0	23,5
900	31,8	36,6	30,8
1050	32,1	37,1	36,3
1200	32,5	37,5	42,0
1400	33,0	38,0	49,7



check dipswitch settings on driver
Push Dim max 5 drivers on 1 push button

The light source contained in this luminaire shall only be replaced by the manufacturer or his service agent or a similar qualified person

CAN BE USED WITH
drivers:
see driver matrix - latest version on website
www.supermodular.com or check sales contact

Mask:
13040009 Smart Mask 160 Whstr
13040032 Smart Mask 160 Blstr

