



LIGHTYEARS®

REPUBLIC OF **Fritz Hansen**®

KAISER idell™
DESIGNED BY CHRISTIAN DELL

**ORIGINAL
BAUHAUS
DESIGN**

LIGHTYEARS®

REPUBLIC OF Fritz Hansen®



LIGHTYEARS.DK

KAISER idell™

DESIGNED BY CHRISTIAN DELL 1931



DESIGNER CHRISTIAN DELL

Christian Dell was a German silversmith and designer. From 1922-25 he worked as a foreman in the metal workshop at the Bauhaus in Weimar where he was the man behind a highly innovative and pioneering style of design. The Bauhaus movement occupies a place of its own in the history of the 20th Century, which had significant influence on architecture design, art and new media. As one of the first colleges of design, it brought together several of the most outstanding contemporary architects and artists.

ORIGINAL KAISER idell™

KAISER idell™ is the result of a long-standing tradition for creating original and timeless design. Dedicated craftsmanship and carefully selected materials ensure that the KAISER idell™ is of the highest quality and will remain beautiful and durable.

The series was revealed to the world in 1931 and is based on a world-patented swivel joint and the characteristic dome embossed with ORIGINAL KAISER-idell. The lamps are made of steel and brass and the lampshades are hand painted in high gloss or matt (only available in black). The chrome-plated elements consist of polished and silversoldered brass.





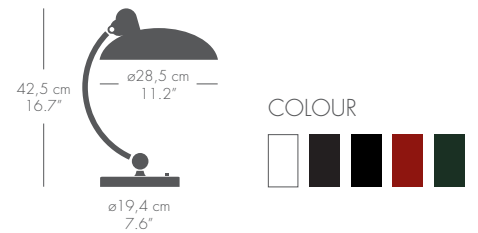
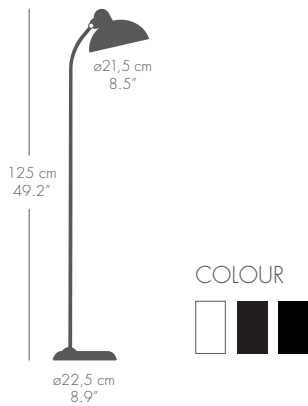
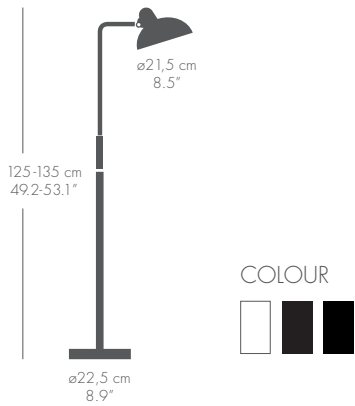
6580-F | LUXUS FLOOR LAMP



6556-F | FLOOR LAMP



6631-T | LUXUS TABLE LAMP



FACTS

MATERIAL

STEEL
CHROME-PLATED BRASS

COLOUR

WHITE
HIGH-GLOSS

BLACK
HIGH-GLOSS

BLACK
MATT

RUBY RED
HIGH-GLOSS

DARK GREEN
HIGH-GLOSS



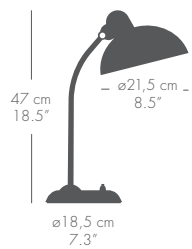
6556-T | TABLE LAMP



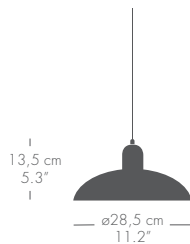
6631-P | PENDANT



6718-W | WALL LAMP



COLOUR



COLOUR



COLOUR



SURFACE
HIGH-GLOSS LACQUER
MATT LACQUER

LIGHT SOURCE
EU: E27 MAX 60W

ENERGY LABEL
A++, A+, A, B, C, D