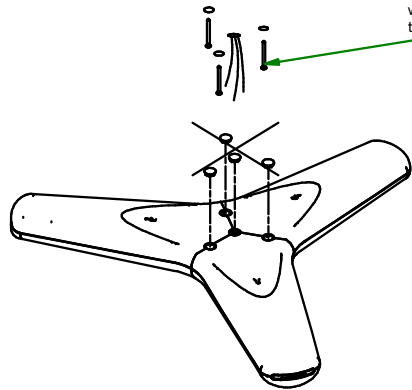
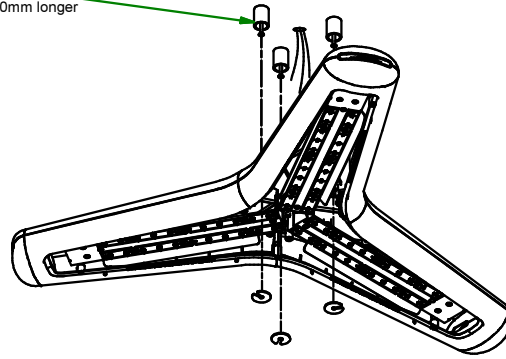


### 1 - Ceiling/Wall



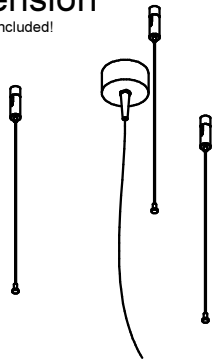
when using the spacers:  
take screws 30mm longer

### 2 - Ceiling/Wall

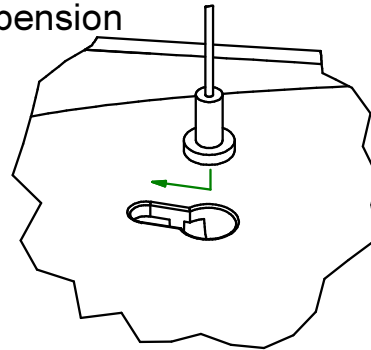


### 1 - Suspension

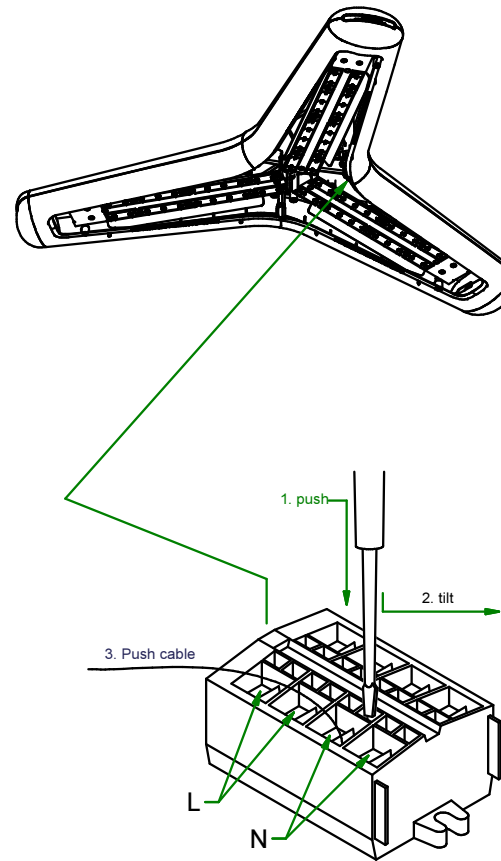
Susp. kit not included!  
11061809  
11061832



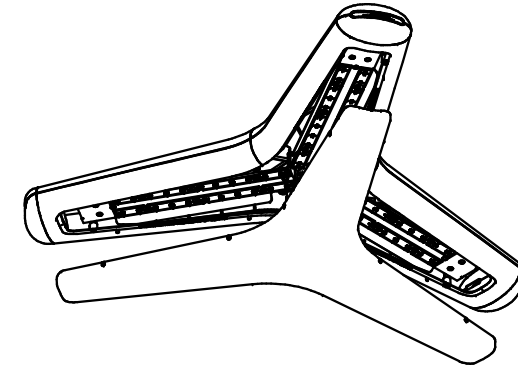
### 2 - Suspension



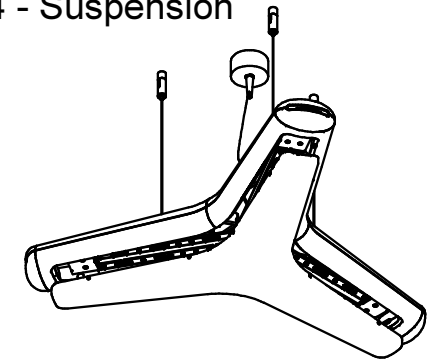
### 3



### 4 - Ceiling/Wall

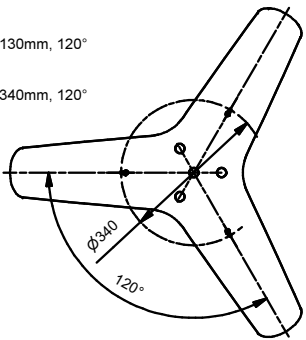


### 4 - Suspension



Ceiling/wall:  
3 holes on Ø130mm, 120°

Suspended:  
3 holes on Ø340mm, 120°



The light source contained in this luminaire shall only be replaced by the manufacturer or his service agent or a similar qualified person

#### Preventing electrostatic damage:

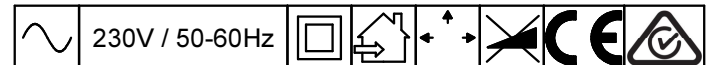
A discharge of static electricity may damage sensitive components. Always be properly grounded when touching leads or circuitry inside the luminaire. Use a wrist strap connected by a ground cord to the housing. Avoid touching the light sources with bare hands.



DO NOT TOUCH LED



replace diffuser when broken  
ref.: 3007488 DIFFUSER IZAR



#### CAN BE USED WITH

Susp kit 4m 3x0,75 + 3 steel cables WhStr (11061809)  
Susp kit 4m 3x0,75 + 3 steel cables BIstr (11061832)

Izar Susp set 4m (3cables) WhStr (11340409)  
Izar Susp set 4m (3cables) BIstr (11340432)

Izar Electrical Connection (11340738)

Susp Kit Rec 4m 3x0,75 (3cables) WhStr/WhStr 11064009  
Susp Kit Rec 4m 3x0,75 (3cables) WhStr/BIstr 11064058