

## shot 15 W

### instructions for use

#### For solid ground

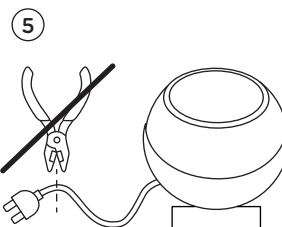
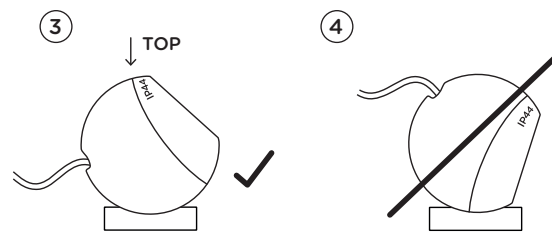
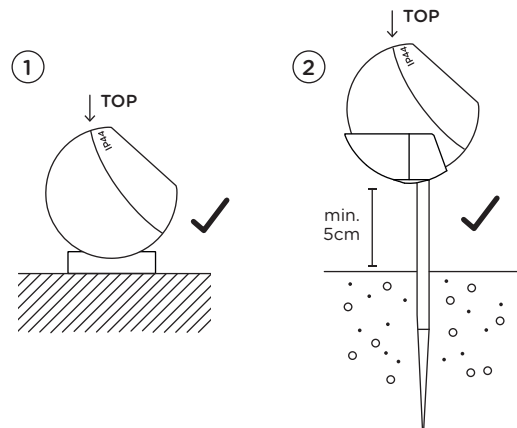
1. For **solid grounds** place the ring of the luminaire on the floor and look after a secure stand and that the ring is flush with FFL (finished floor level) – see picture 1.

For **unpaved beds and greens** the shot tee has to be used according to the instructions for use shot tee – see picture 2.

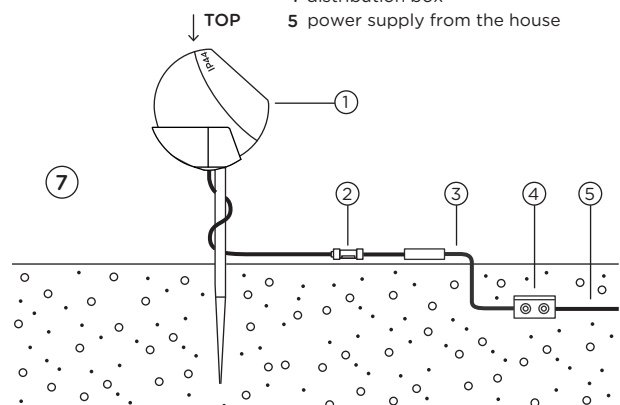
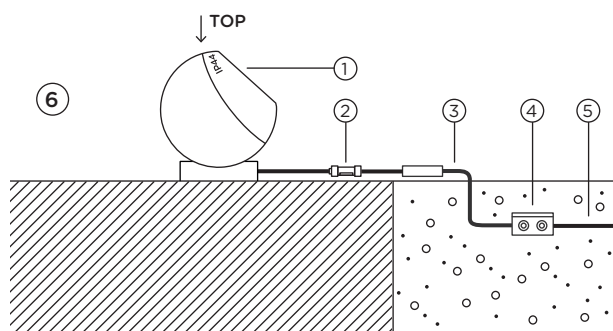
2. Bring the ball on the ring to the desired position. The IP44.de logo signals position ,TOP'. Please ensure the correct position ,TOP', so that water can flow off and that no backwater can collect in cable- and membrane tunnel. The ball should be tilted only that far, that backwater can't ingress directly into cable- and membrane tunnel – see pictures 3 + 4.
3. Provide the electrical connection between safety plug and grounded electrical socket **aboveground**. Grounded electrical sockets have to correspond to the essential protection class.
4. The safety plug signals the movability of the luminaire.

**NOT PERMITTED:** Removal of the safety plug – see picture 5.

**NOT PERMITTED:** Fixed installation and/or a connection with an earth-joint, respectively routing the cable underground. **Underground routing solely with IP44.de connect** and underground connection kit – see pictures 6 + 7.



- 1 IP44.de connect-luminaire
- 2 IP44.de connect-junction
- 3 underground cable with aqua stop
- 4 distribution box
- 5 power supply from the house



## light technology:

IvyLight-technology  
230V Power LED / 3000K  
system performance: 15 W/980 lm



## technical information:

operating voltage 230V / 50Hz  
supply cable H05RN-F 3G0,75



protection class



safety class 1



Luminaire is suitable for mounting on normal inflammable fixing surfaces.



conformity mark

## maintenance:

Disconnect the electrical installation.

This luminaire contains built-in LED lamps. The lamps cannot be replaced in the luminaire.

## dimming:

The luminaire can be dimmed with an approved leading- or trailing edge dimmer. Please contact IP44.de service center for a list of approved dimmers.

## care:

Regularly clean luminaire from dirt and deposits. Do not use a high pressure cleaner for cleaning.

Please note care instructions at [www.IP44.de](http://www.IP44.de).

## safety:

We point out that the electric connection of light fixtures has to be done by a certified installer.

We assume no accountability for damages which are a result of non-appropriate mounting or application of the luminaire.

Modifications on the luminaire will result in loss of warranty.

## assembly instruction:

The luminaire may not come into contact with highly acidic or alkaline soils, or with other aggressive substances, chemicals, fertilizers or bark mulch.