

# PLANO 1.0

23-Apr.-2019

## 1.0 LED

**LED** 7/10W | 350-500mA | 18Vf | COB 3-step | excl. power supply

CE IP20 960°C 0,3m TE 35°/35° 355°

|               |         |
|---------------|---------|
| white texture | 118161W |
| silver / grey | 118161S |
| bronze        | 118161Q |
| black         | 118161B |

### LIGHT COLOUR

2700K | >90CRI | 520-710lm 3

3000K | >90CRI | 540-740lm 5

1800-2850K | >95CRI | 330-450lm | 16Vf 9

### ALWAYS USE

for power supplies see our catalogue

### OPTIONAL

plaster kit 90017104

## 1.0 PAR16

PAR16 max. 12W | GU10 | 100-240VAC | 50-60Hz

CE IP20 960°C 0,3m TE 35°/35° 355°

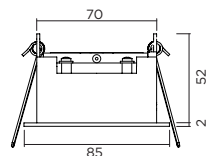
|               |          |
|---------------|----------|
| white texture | 118120W0 |
| silver / grey | 118120S0 |
| bronze        | 118120Q0 |
| black         | 118120B0 |

### OPTIONAL

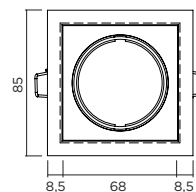
for PAR16 lamps see our catalogue

plaster kit 90017104

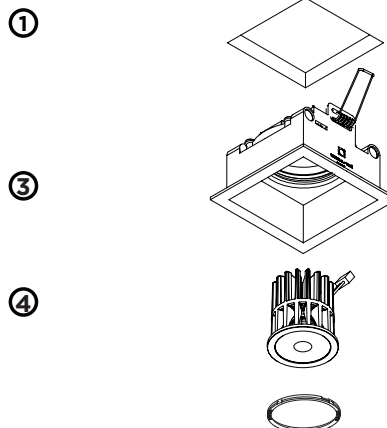
side view



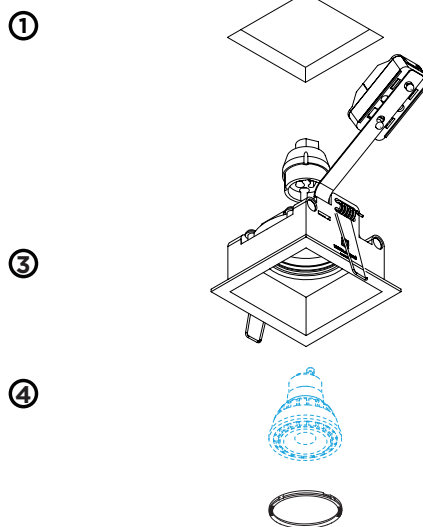
bottom view



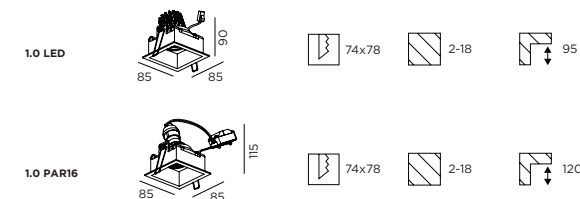
### PLANO 1.0 LED



### PLANO 1.0 PAR16



## DIMENSIONS



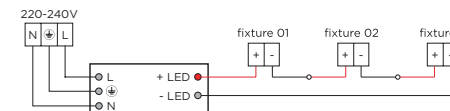
## MOUNTING INSTRUCTION

- 1 Make a hole in the ceiling according to the prescribed dimensions.

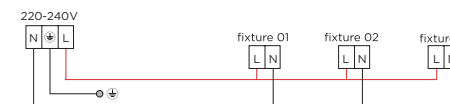
## POWER CONNECTION

- 2 SERIAL CONNECTION - for LED

Always use **POWER SUPPLY** according to the specifications of the LED-module



PARALLEL CONNECTION - for PAR16



- 3 Insert the fixture in the hole
- 4 Place the LED engine or PAR16 lamp and fix with spring