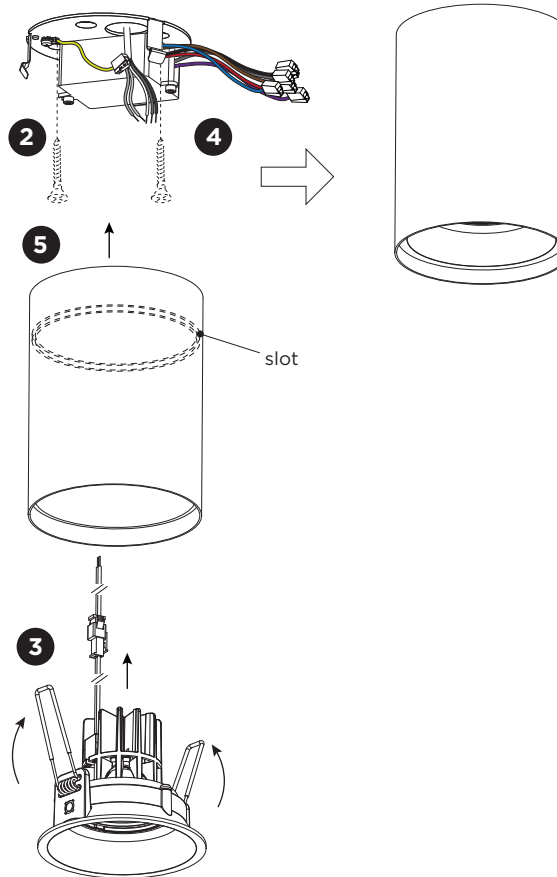
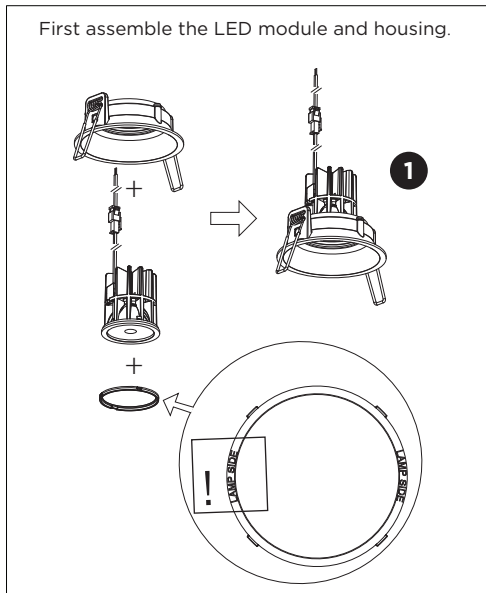
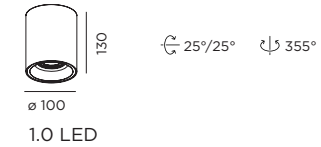


SOLID 1.0

INSTALLATION INSTRUCTIONS | AUGUST 2020



DIMENSIONS



MOUNTING INSTRUCTION

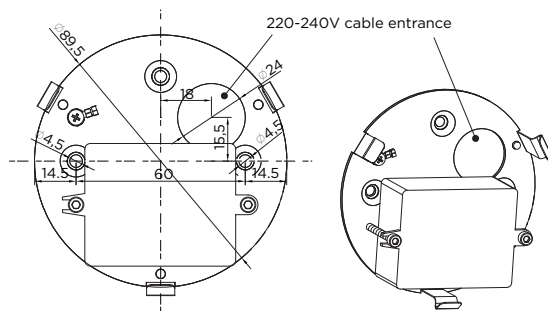
- 1 First assemble the LED module and housing.
- 2 Mount the base plate to the ceiling with screws (screws are not included).
- 3 Push the springs up and insert the assembled unit in the luminaire tube body.
- 4 POWER CONNECTION
Connect to 220-240V.
- 5 Attach the tube to the mounting base by sliding it over completely against the ceiling.
Note: the side with the slot should be upward to lock the springs of the ceiling base plate.



Connect the mounting base earth cable.



Mounting base:



Driver must be powered off before connecting cables.

Before connecting the luminaire/LED module to the driver please make sure the driver is not powered but disconnected from the mains. The driver can only be powered when the luminaire/LED module is already connected. Disregarding this instruction might damage or even destroy the luminaire/LED module.

