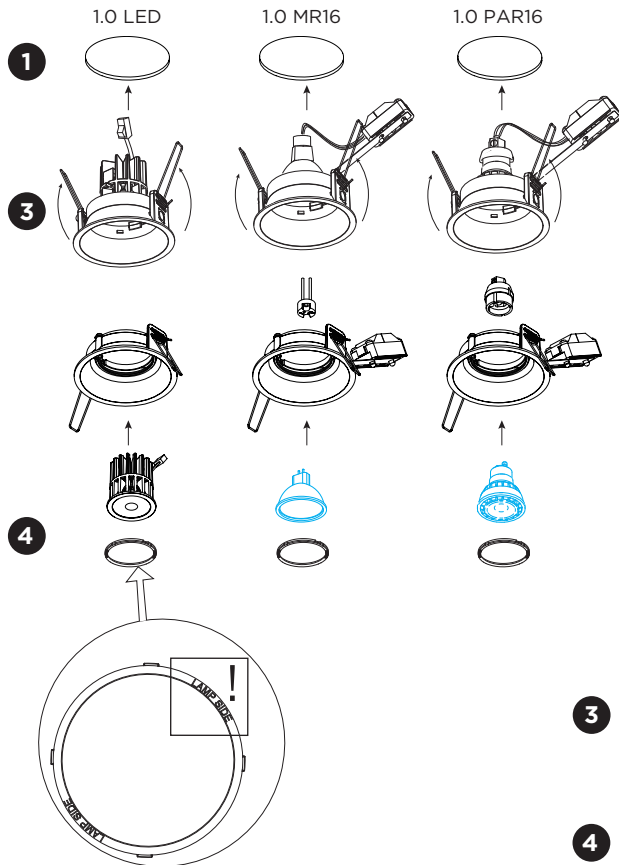


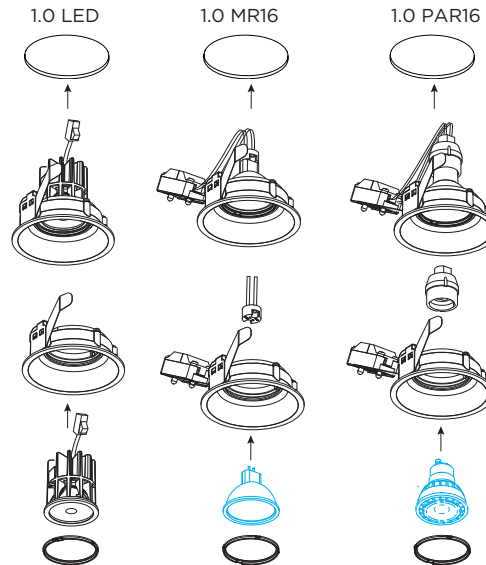
# DEEP ADJUST 1.0

INSTALLATION INSTRUCTIONS | JUNE 2022

with wire springs:



with blade springs:



- 3** for wire springs:  
Push the springs up and insert the fixture in the ceiling hole.  
for blade springs:  
Push the springs towards the luminaire when inserting the fixture in the ceiling hole.
- 4** Place the lamp or LED engine and fix it with the spring clip.

## DIMENSIONS

1.0 LED	
1.0 MR16	
1.0 PAR16	
1.0 LED (blade springs)	
1.0 MR16 (blade springs)	
1.0 PAR16 (blade springs)	

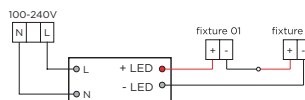
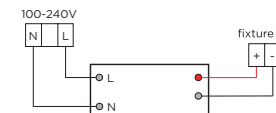
## MOUNTING INSTRUCTION

- 1** Make a hole in the ceiling according to the prescribed dimensions.

## 2 POWER CONNECTION

SERIAL CONNECTION - for LED

**Always use a power supply according to the specifications of the LED module.**



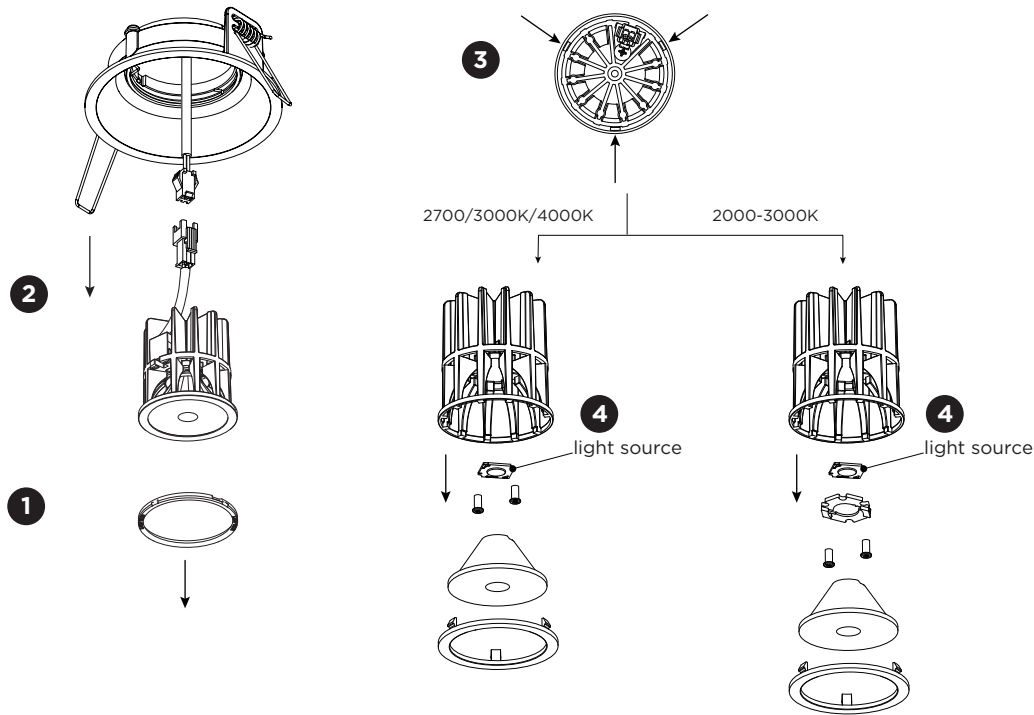
PARALLEL CONNECTION - for PAR16/MR16



PB19-010-433-00\_v2

# DEEP ADJUST 1.0

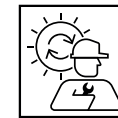
INSTALLATION INSTRUCTIONS | JUNE 2022



## DISMOUNTING INSTRUCTION only for 1.0 LED

### Light source

- 1 Push in the slot of the spring clip and pull it out.
- 2 Unplug the LED module and remove it from the luminaire.
- 3 Push at the three points to loosen the front ring.
- 4 Take out the lens and unscrew the light source to remove it.



To replace the light source please contact your Wever & Ducré customer service contact point.



This luminaire contains a light source with the energy class D.