

ABSINTHE

SEP BV

Industrieperk 1 4A - Zone B
2220 Heist-op-den-Berg
BELGIUM

INPUT : 220-240V~ 50/60Hz CLASS I

LAMP-HOUSE : LED-1x8W

MATERIAL : ALUMINIUM

CE UK I P65



INSTALLATION INSTRUCTION

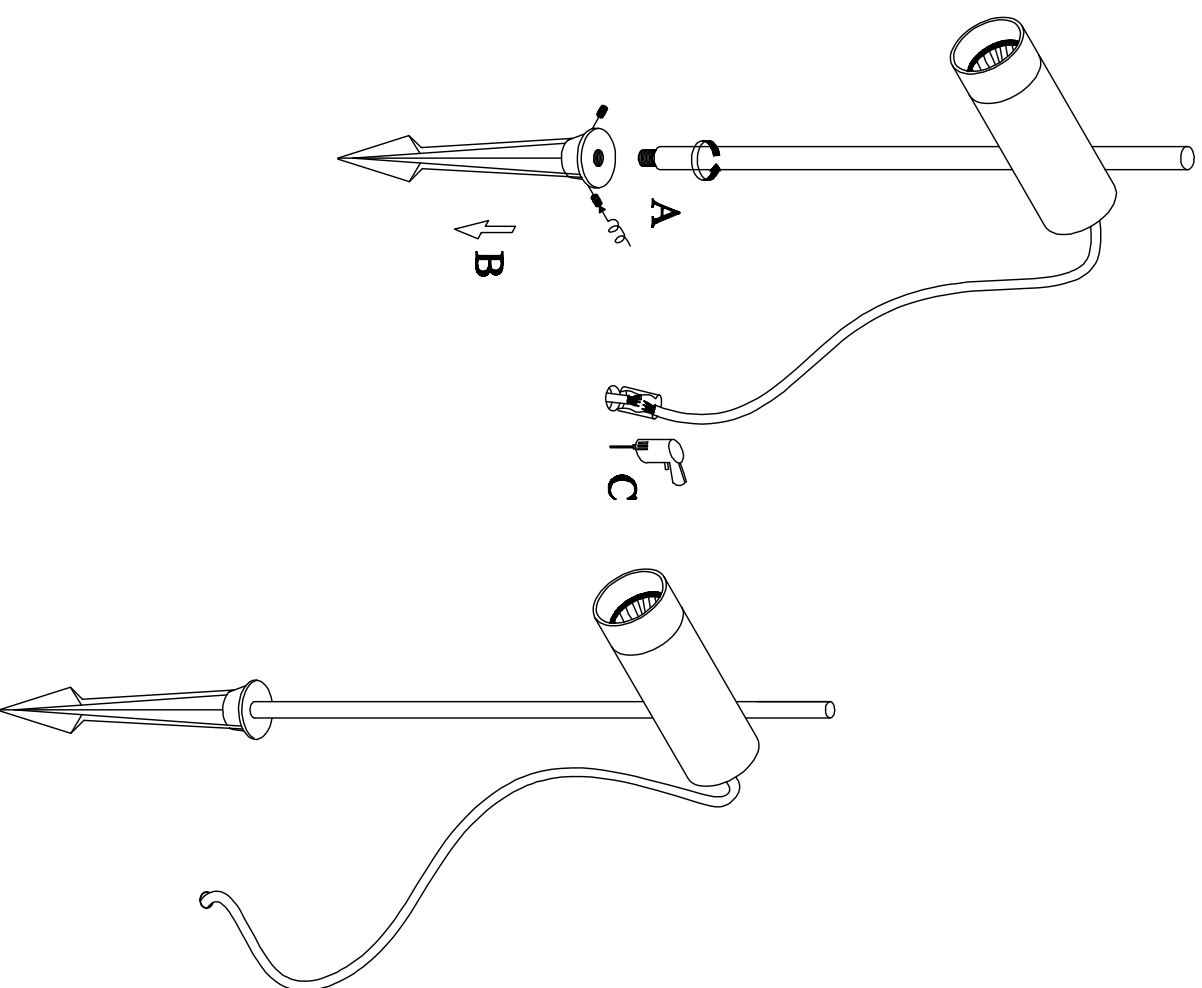
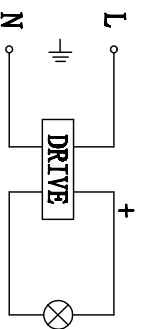
1. Before installing, make sure the power supply is switched off.
2. Follow the steps as the figure for installation.
 - A. Fix the fixture to the spike and tighten the screws.
 - B. Fix the fixture by insert the spike into the ground.
 - C. Make the connection at a junction box and fill it with resin.
3. After finishing every step, tighten the screws, have the fixture fixed, and then connect the power supply.

CLEANING INSTRUCTION

1. Before cleaning, ensure that the power supply is switched off.
2. Use only a soft cloth to clean the lamp, dampened with mild cleanser if needed for resistant dirt.
3. Warning: do not use alcohol or other solvents.

CAUTION:

While the lamp is working, the surface of it is hot!
Please do not touch the fixture within an hour after the power supply has been switched off.



12106-02-WW-2