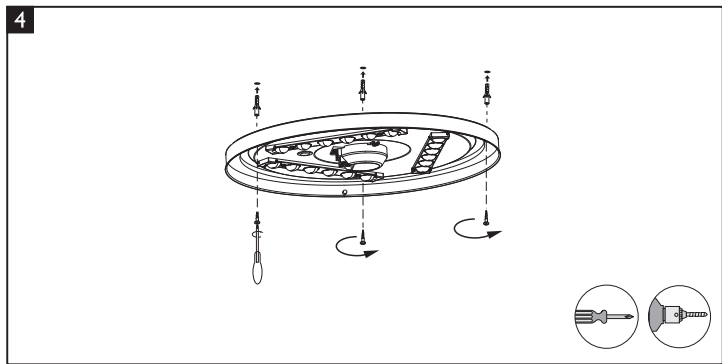
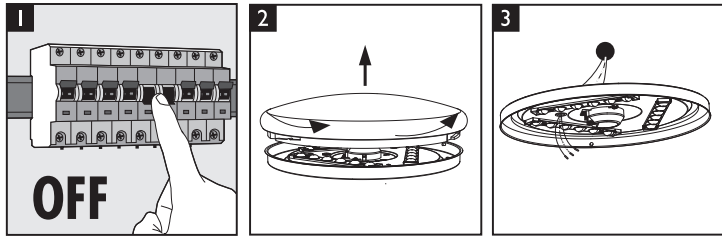
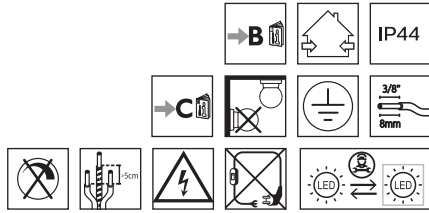


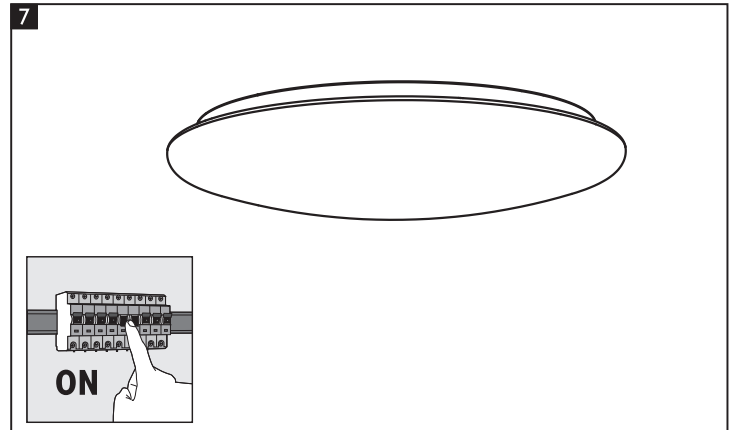
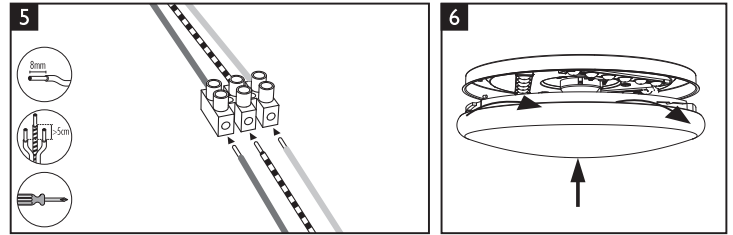
front

PHILIPS

Canopus CL259



back



F 9290025144 9290025145

Philips and the Philips shield emblem are registered trademarks of Koninklijke Philips N.V.

Signify
 I.B.R.S. / C.C.R.I. Numéro 10461
 5600 VB Eindhoven, the Netherlands
www.philips.com/lighting

Signify Commercial UK Limited
 Unit 3, Guildford Business Park,
 Guildford, Surrey, GU2 8XG, UK

© 2021 Signify Holding
 ©ignify



3241 656 20022
 Last update: 09/04/21

size: 105mmx148mm