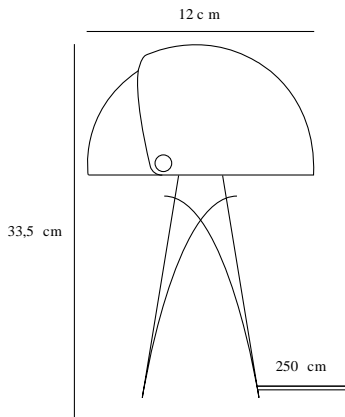


# ALIGN | TABLE LAMP | GREEN

2120095023



Voltage (V): 230 Volt  
IP degree: IP20  
Maximum bulb wattage (W): 25W  
Class (Class 1, Class 2, Class 3):  
Class 2 (Double isolated)  
Bulb base: E27  
Switch placement: On the cable  
Parallel connection: False

Height (cm): 33.5  
Width (cm): 23  
Shade Diameter (cm): 22  
Shade Height (cm): 12  
Outdoor base dimension (cm):  
10.8  
Length (cm): 23  
Tilt Angle (°): 340

Pcs Per Master Carton: 3  
Sales Box Height (cm): 38.5  
Sales Box Width (cm): 21  
Sales Box Depth (cm): 26.5  
Sales Box Volume m<sup>3</sup> : 0.0214  
Product net weight (kg): 2

Primary material: Metal  
Secondary material: Plastic  
Color of the cable: White  
Length of the cable (cm): 250  
Surface material of the cable:  
Textile  
Is the cable replaceable: False  
Color: Green

EAN: 5704924013690  
Item Number: 2120095023

- Satin soft, matt surface • Beautiful brass details
- Movable shade for a playful look and changeable light

Align is a series of contemporary and elegant table lamps by Danish designer Maria Berntsen that encourage interaction and curiosity. The inner shade of the lamp is static, while the outer shade can easily be moved for a changeable light that fits any need. The design language is simple, yet playful with a satin soft, matt surface and beautiful brushed brass details.