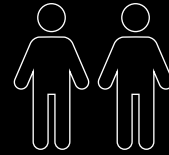


VP GLOBE GLASS  
VP GLOBE COLOURED GLASS  
*Design by* VERNER PANTON

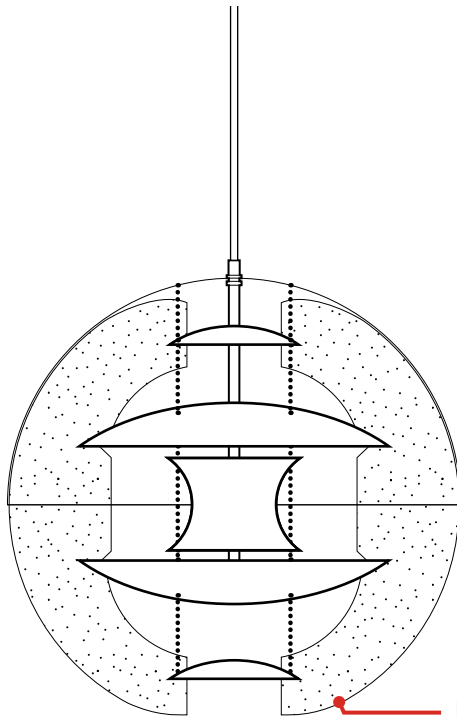
*Please read thoroughly before assembly*

## RECOMMENDATION:

- Read thoroughly before assembly
- Assembly is a two-person job
- Have plenty of time



1

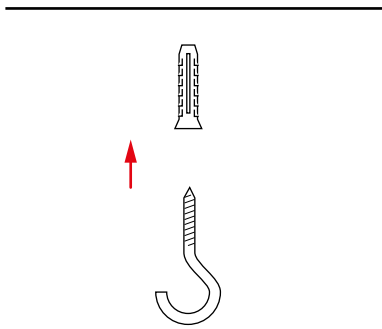


Leave protective pads on during assembly

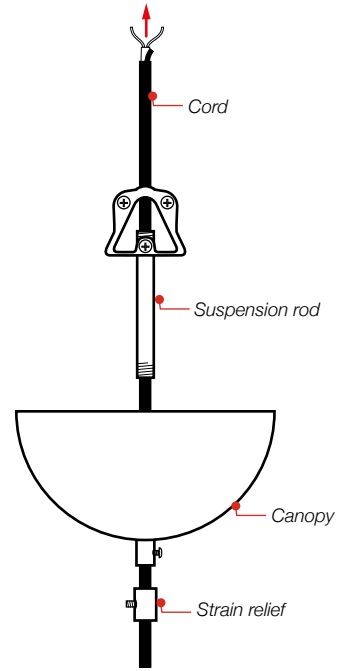
## RECOMMENDATION:

We recommend that you leave the protective styrofoam pads in during assembly and mounting. The pads protect the reflectors and the acrylic shell from damage and makes mounting easier.

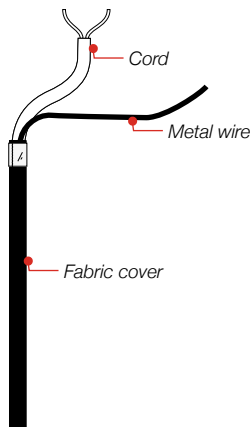
2



1. Screw the hook firmly into a stable ceiling

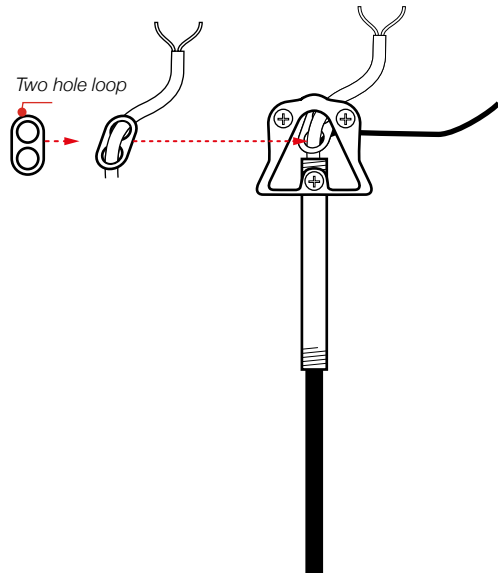


2. Carry the cord through the strain relief, canopy and suspension rod.

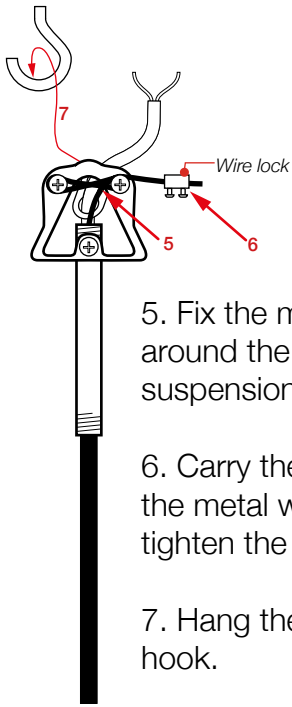


3. Determine at which height the lamp will hang and shorten the cord accordingly. NB! Leave extra cord for power connection and securing of the metal wire.

Remove the fabric cover from a suitable part of the cord - secure the edge with a piece of tape to make sure it won't unravel.



4. Secure the two hole plastic loop to the cord - it will make sure it won't slip.

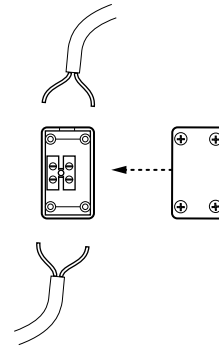


5. Fix the metal wire around the screws on the suspension rod.

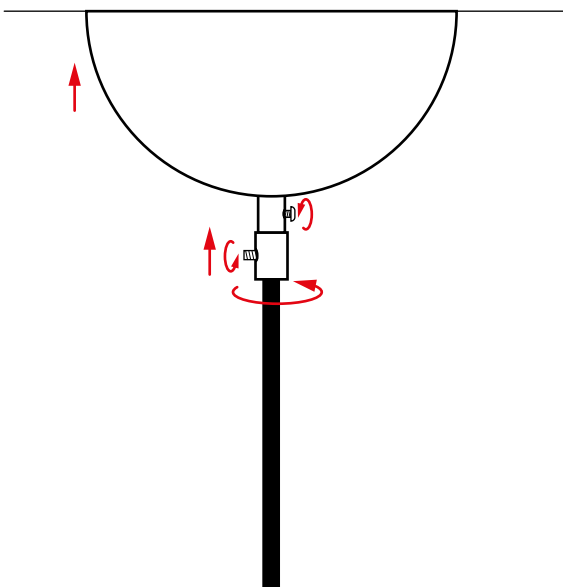
6. Carry the wire lock on the metal wire and firmly tighten the screws.

7. Hang the lamp on the hook.

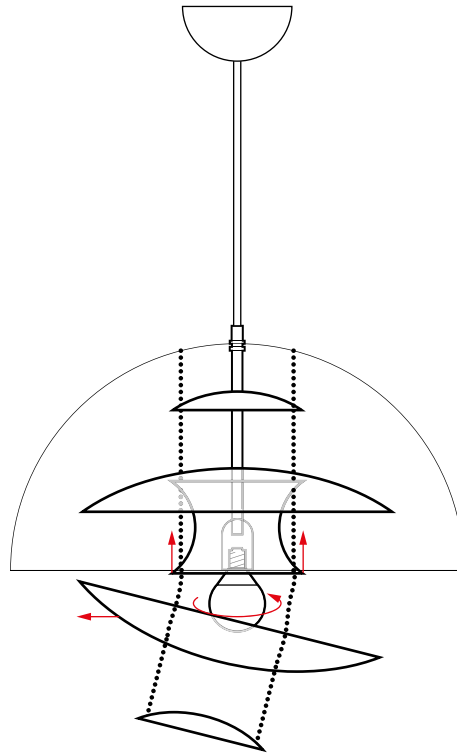
**NB! THE LAMP MUST HANG WITH ALL ITS WEIGHT IN THE METAL WIRE. THERE MUST BE NO WEIGHT ON THE ELECTRIC WIRES.**



8. Connect the cords to outlet or run it further by using the connector box.



9. Carry the canopy up to the ceiling and tighten the relief screws.

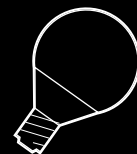
**IMPORTANT!**

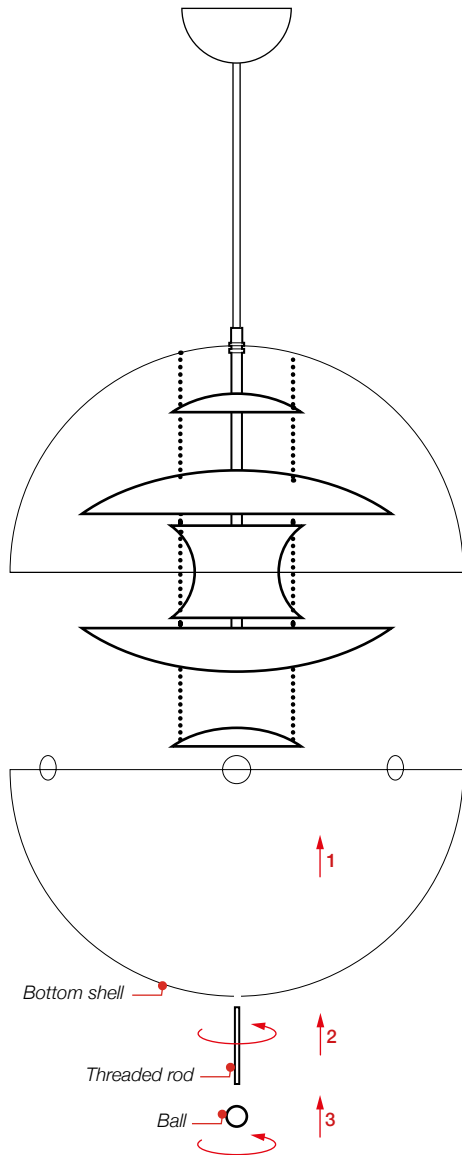
Remember to place the light bulb in the socket  
BEFORE mounting the bottom acrylic shell.  
The inside reflectors can be pushed slightly to the  
side with caution when placing the bulb.

To prevent fingerprints and scratches, please use  
the enclosed gloves.

**RECOMMENDED BULBS:**

VP GLOBE Ø40 CM: E14, MAX. 60W  
VP GLOBE Ø50 CM: E27, MAX. 60W





1. Carefully lift the bottom acrylic shell into place.

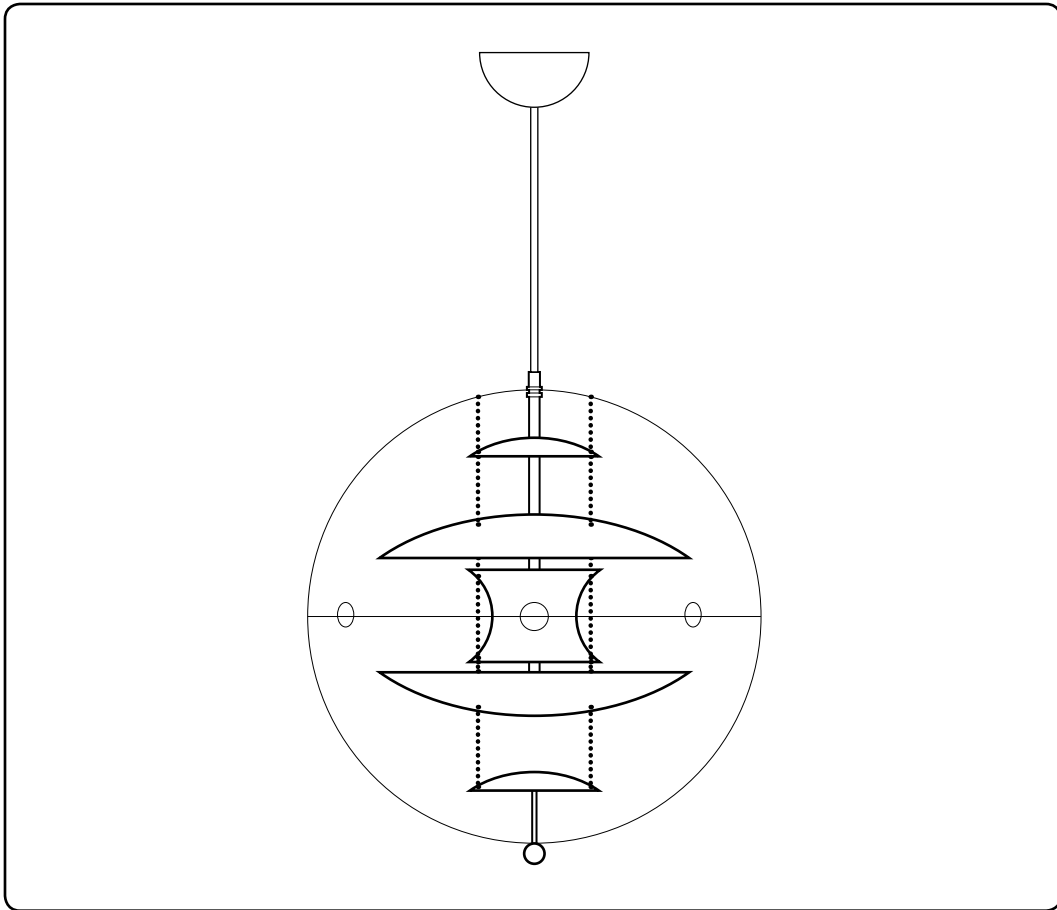
2. Carry the threaded rod through the acrylic shell and screw it on the bottom reflector plate.

3. Screw the metal ball to the rod to fasten the bottom shell. **IMPORTANT!** Do not tighten the metal ball too firmly, or you may damage the acrylic shell.

**DUE TO THE NATURE OF THE ACRYLIC MATERIAL, THE SHAPE OF THE TOP AND BOTTOM SHELLS CAN DEVIATE SLIGHTLY FROM A PERFECT CIRCLE.**

**THIS IS NORMAL, AND THE SHELLS HAVE BEEN PAIRED TO MATCH.**

**WHEN ASSEMBLING, SIMPLY ROTATE THE BOTTOM ACRYLIC SHELL TO FIND THE BEST POSITION.**



### **IMPORTANT INFO ON THE GLASS REFLECTORS**

EACH GLASS REFLECTOR IS UNIQUE, AS THE GLASS IS HAND POLISHED AND HAND PAINTED. THE SURFACE OF THE GLASS CAN HAVE SMALL VARIATIONS, AND SMALLER AIR BUBBLES MAY OCCUR.

### **IMPORTANT**

IF THE EXTERNAL FLEXIBLE CABLE OR CORD OF THIS LUMINAIRE IS DAMAGED, IT MUST ONLY BE REPLACED BY THE MANUFACTURER OR HIS SERVICE AGENT OR A SIMILAR QUALIFIED PERSON IN ORDER TO AVOID A HAZARD.

### **MAINTENANCE:**

CLEAN WITH A SOFT CLOTH, WARM WATER AND A MILD DETERGENT.  
DO NOT USE ANY ABRASIVE MATERIALS.

### **CLEANING KIT FOR VP GLOBE:**

YOU CAN ALSO PURCHASE A CLEANING KIT DEVELOPED ESPECIALLY FOR THE VP GLOBE AND PANTO PENDANTS. PLEASE CONTACT THE SHOP WHERE YOU PURCHASED YOUR PENDANT FOR FURTHER DETAILS.

DESIGNED  
IN THE PAST  
**MADE FOR**  
**TOMORROW**

VERPAN ApS  
*Egeskovvej 29*  
8700 Horsens  
Denmark

[www.verpan.com](http://www.verpan.com)

[info@verpan.com](mailto:info@verpan.com)