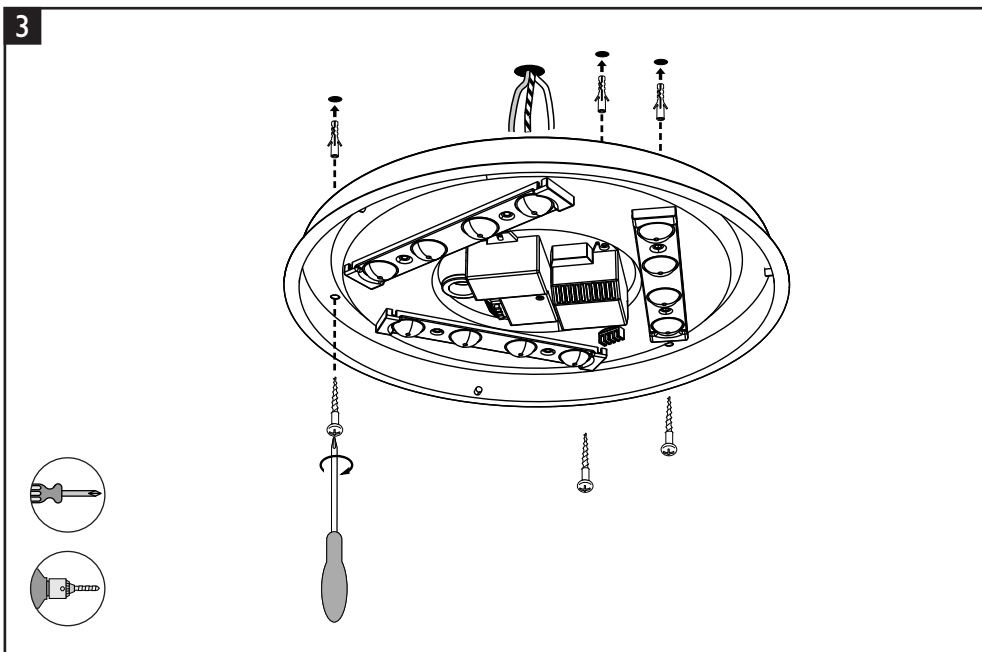
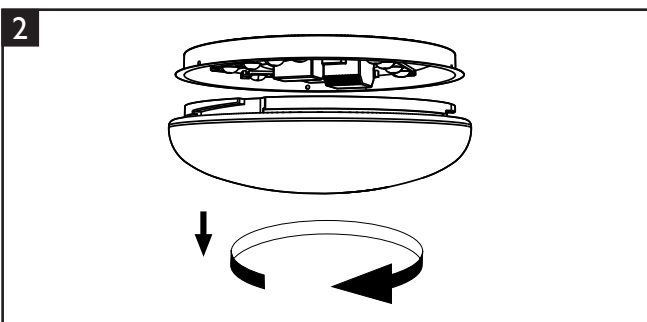
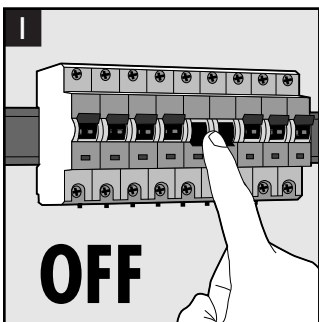
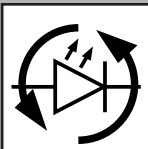
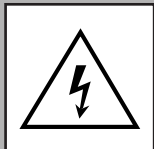
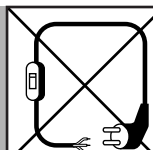
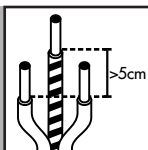
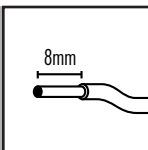
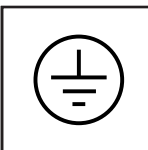
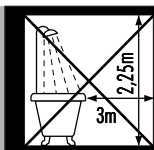
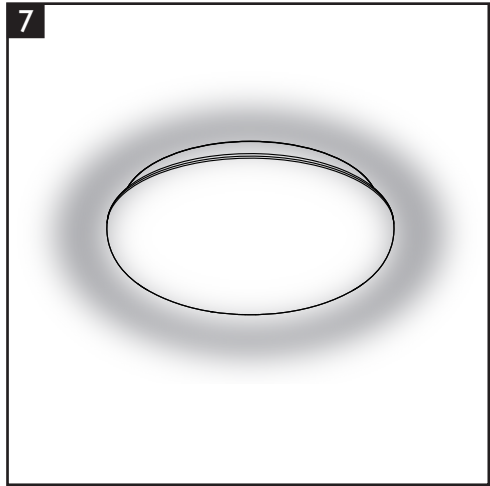
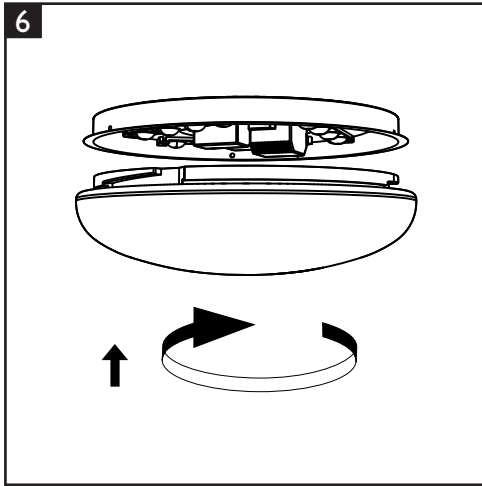
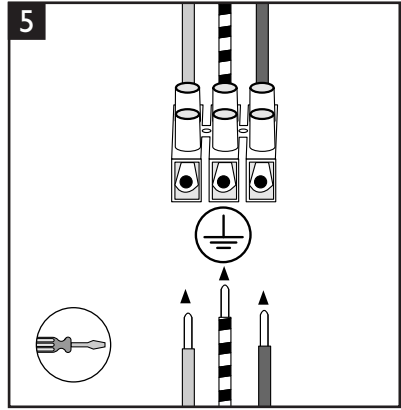
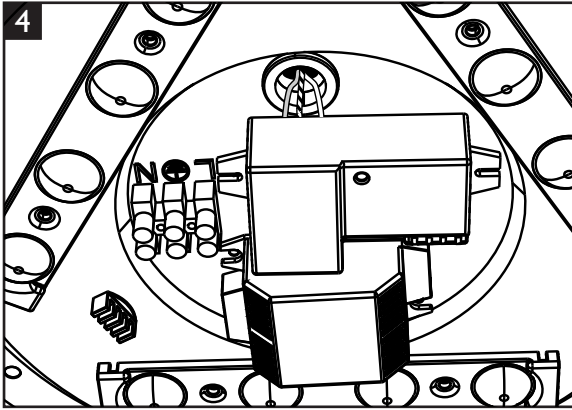




# PHILIPS

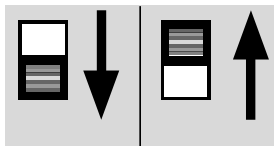


# PHILIPS

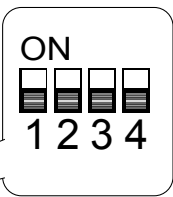
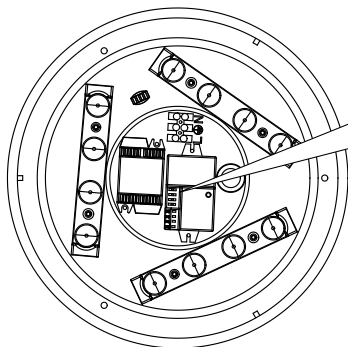
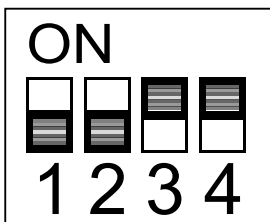


# PHILIPS

## DIP switch setting



### Default Setting



1	Detection area	2	3	Hold Time	4	Daylight Sensor
	100%			5S		ENABLE
	50%			1min		DISABLE
				3min		
				10min		

**Detection area (default 50%)**  
 Detection area can be increased by selecting 100% on the DIP switches to fit precisely each application.

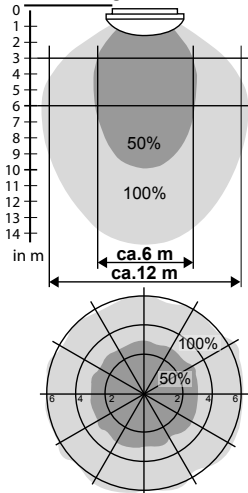
**Hold time (default 3 min.)**  
 Refers to the time period the lamp remains at 100% illumination after no motion detected.

**Daylight sensor (default enable mode)**  
 The sensor can be set to only allow the lamp to illuminate below a defined ambient brightness threshold (25lux). When set to disable mode, the daylight sensor will switch on the lamp when motion detected regardless of ambient light.

# PHILIPS

## Detection area

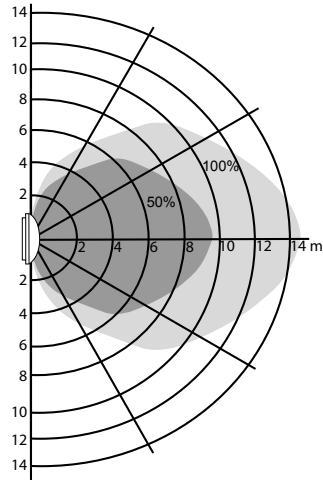
Detection range at ceiling mounting  
detection angle 360°



Any movement within the detection area  
can be detected and light will turn on.

## Detection area

Detection range at wall mounting



## Application Note

Multiple Luminaires – Ceiling Mounting & Wall Mounting

