



CARE INSTRUCTIONS

Daily cleaning can be done by wiping the frame with a clean dry cloth. Should the surface need more attention this can be cleaned with water and a light detergent or soap applied with a damp cloth. Wipe after with a clean dry cloth. Avoid any abrasive materials.

TROUBLESHOOTING

If lamp does not light, turn off the power. Check the bulb for a broken filament. Replace bulb if necessary, then turn it on. If the lamp still does not light, please contact customer service at the local dealer. If the external flexible cable or cord of this lamp is damaged, it must be replaced by a qualified electrician in order to avoid a hazard.

TECHNICAL INFORMATION

Recommended light source:
6x E14, 350-400 Lumen, ~4-5W LED, dimmable

Turn power off when changing light bulb. Isolation class II.
The lamp is not approved for outdoor use or use in damp/wet rooms (IP20)



For enquiries contact GUBI A/S - CVR: 17940384
Klubiensvej 7-9. 2150 Nordhavn. Copenhagen, Denmark
T +45 69 15 60 60 – order@gubi.com
GUBI.COM

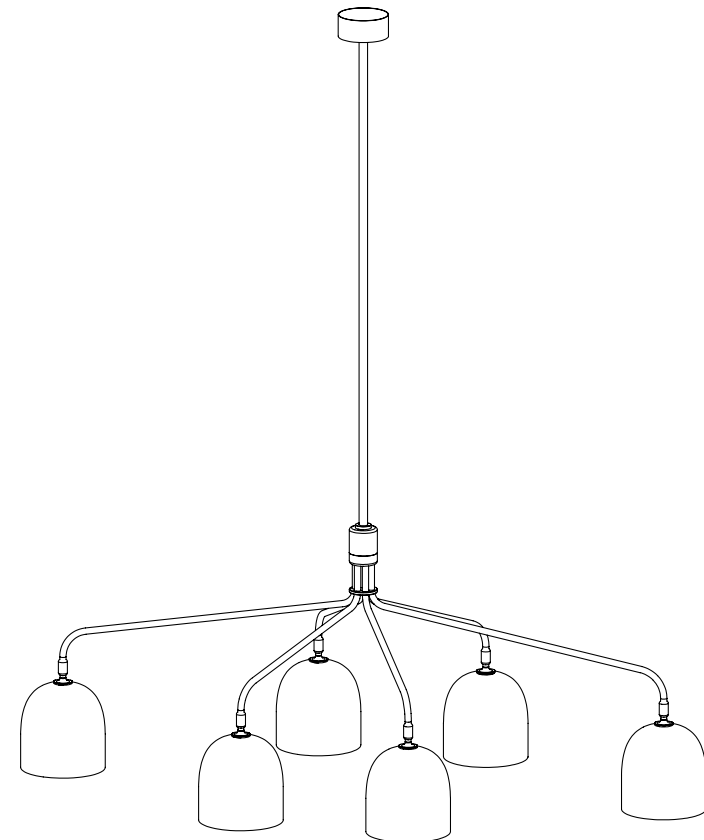
138-20-003-01 Assembly Instructions Howard Chandelier 6 Armed, EU

GUBI

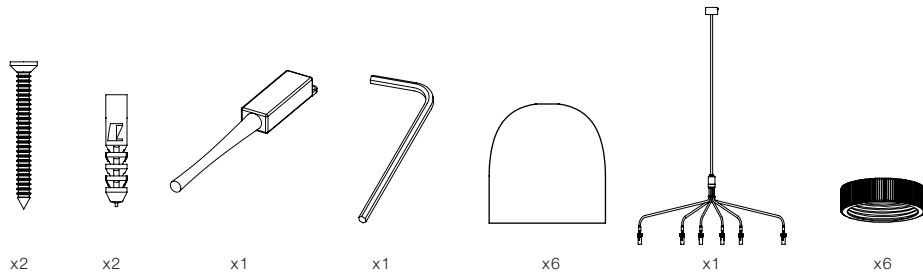
ASSEMBLY INSTRUCTIONS

for

Howard Chandelier 6-Armed

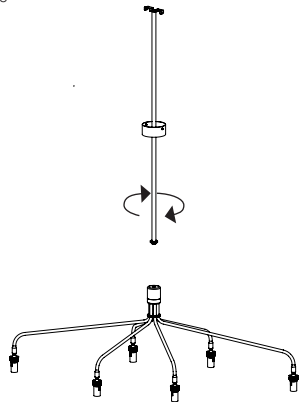


CONTENTS



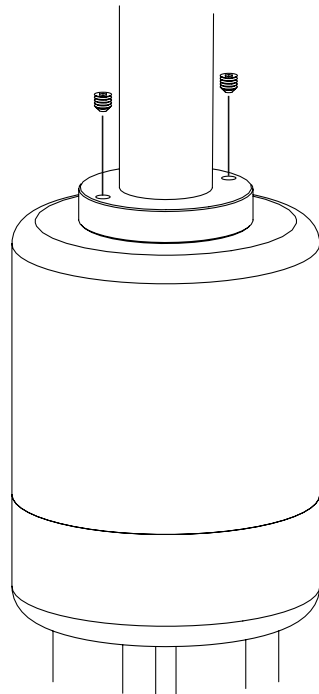
1.

Screw the pendant tube onto the chandelier base



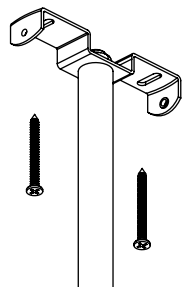
2.

Using the allen key, secure the pendant tube to the chandelier base by tightening the two set screws



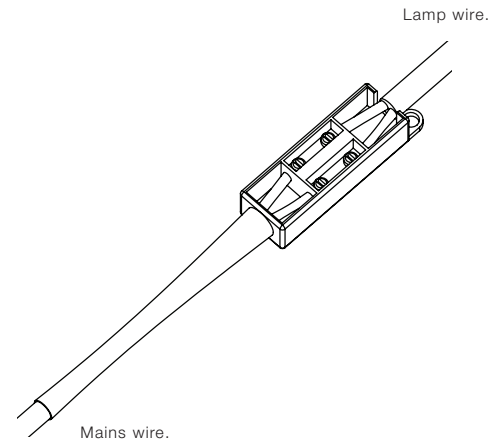
3.

Mount the chandelier to the ceiling using the two supplied wood screws



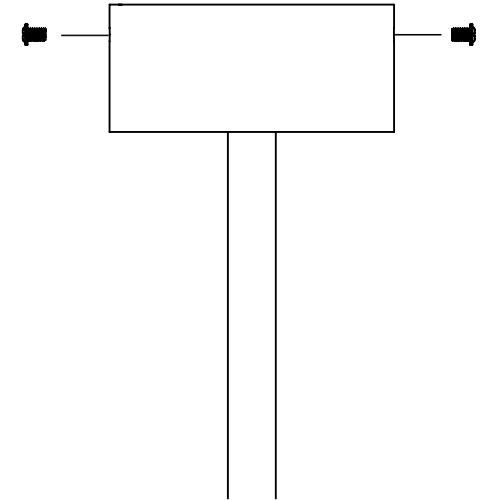
4.

Connect lamp L and N wires to mains wires in the supplied screw terminal and place it inside the canopy.



5.

Secure the canopy to the ceiling bracket with the two supplied machine screws



6.

Assemble the shades onto the base by using the supplied mounting rings

