

Lamp Specifications

Design	Included Middle
Year	2014
Typology	Pendant Lamp
Collection	Permanent Lighting
Origin	PRC
Material	Brass, opal white glass shade, G9 LED bulb
Cord	bronze silicon cord
Certifications	CE-certified
Cord	3m bronze silicon (no plug)
Installation	Direct wiring, includes brass swan neck (canopy not included) Lamp can be made level by shifting position of weighted brass cylinder
Socket	G9

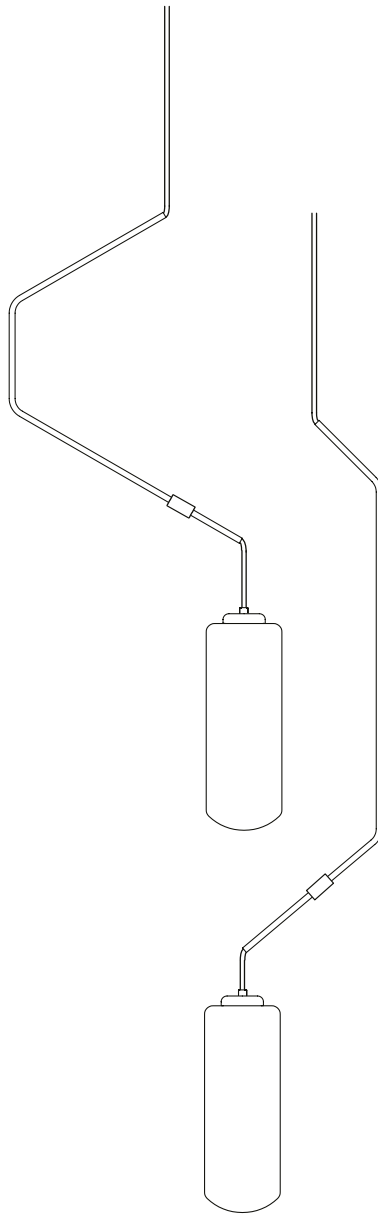
Bulb Specifications

Producer	Osram
Origin	Germany
Watt	1.8 W LED
Lumen	200 lm
Color temperature	2700K
Ra	>80
Base Socket	G9
Lifhours	15 000
Lifecycles	100 000
Warm-up time (60%)	< 0.50s
Light control	Not dimmable
Energy class	A++
Energy Consumption	2 kWh/1000h
Certifications	CE-certified
Overall length	47 mm
Diameter	16 mm

Product	Item No.	EAN code
Ventus form 1	2150	5712828021505
Ventus form 2	2151	5712828021512

Ventus

Designed by Included Middle



FRAMA

Ventus Assembly Guide

Contents:

In this box you will find:

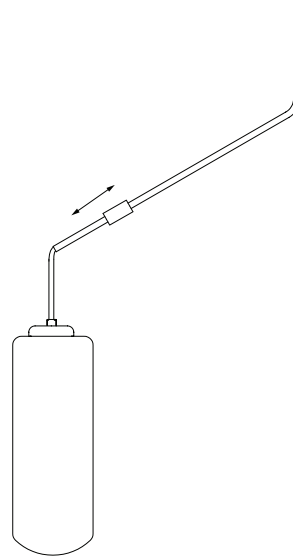
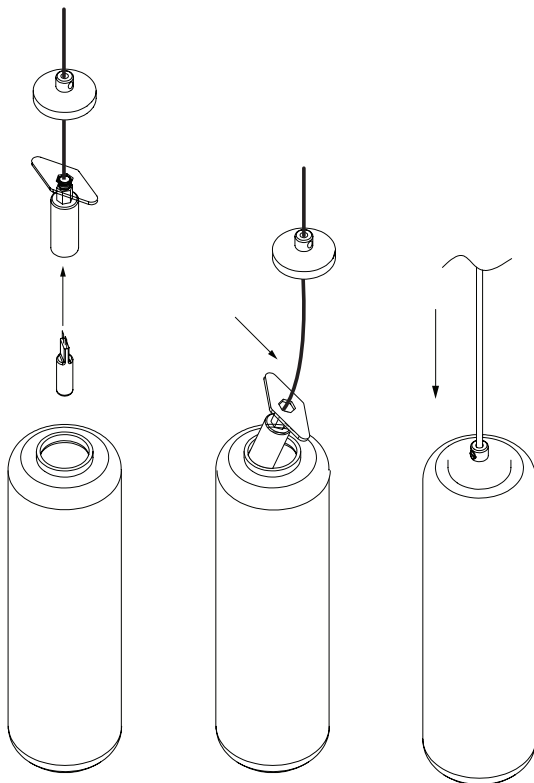
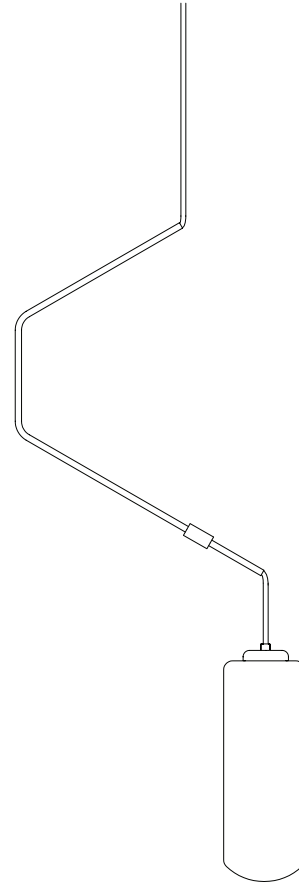
- 1 opal glass shade
- 1 G9 1.8 watt Led bulb
- Plated brass tube, and shade cap, bronze wire, swan neck ceiling attachment

Assembly:

Start by unpacking the Ventus Frame and the Opal glass shade. Plug the G9 led bulb within the socket located at the end of the wire piece. Holding the lamp secure, work the socket and internal parts below the brass cap sideways within the opal glass shade. Place the brass cap down upon the glass shade.

After locating and marking the desired ceiling placement of the Ventus lamp, wind the gold wire end of the lamp through the swan neck ceiling attachment. Adjust length of wire to desired placement. Please note this type of mounting is completely optional, Ventus can be directly wired into the ceiling without swan neck.

If the Ventus lamp appears out of balance, use an allen key to unwind the brass counter weight located on the brass tubing. Balance out the Ventus lamp by sliding the counter weight up or down the tube.



FRAMA

Ventus Maintenance Guide

Some of the metals in the Frama collection are left untreated to allow for a natural patina to develop over time. See below to keep these beautiful signs of aging, or polish them away. All collection pieces are for indoor use.

Cleaning Ventus:

Brass: Wash the brass with soapy water. To get rid of dirt or oil, mix a mild detergent with warm water. Dip a soft cloth into the soapy water, and wipe the piece down with the cloth. To polish brass, apply brass polish to a cloth, and rub it into the brass. Then use a clean, dry cloth while rubbing the brass to create shine.

Glass: Dust regularly and wipe clean with a soft damp cloth.

Bulbs:

Bulb : Please note the Ventus lamps comes equipped with a test bulb. Bulb may need to be replaced by the user.

Bulb Specification: We recommend a 1.8 Watt LED G9 bulb in warm white to achieve the proper lighting effect.

Cords:

Avoid contact with liquid and cleaning soap. Use a brush or cloth to remove dirt from the cord. Avoid direct sunlight and sharp items.

Do not cut the cords by yourself, let a licensed electrician perform length adjustments.

Mounting:

2. Connect the ceiling output to the terminal block. The blue wire is fasten on the opposite side from the blue wire on the terminal block. Fix the wire by tighten the screw. Use a small screwdriver.
3. Connect the brown wire in the same way.
4. Hang the pendant and adjust the ceiling cup by tighten the cord grip in it's right position

Ventus Form 01

Dimensions : H1320 Ø90

Ventus Form 02

Dimensions : H870 Ø90

Materials : Brass Ventus frame, opal glass shade with white cap,
brass swan neck, gold silicon wire, led bulb

CE Designed in Denmark | Produced in PRC

Ventus Form 01
Item No. 2150



Ventus Form 02
Item No. 2151



FRAMA

Org. St. Pauls Apotek - Fredericiagade 57 - Copenhagen