

FLOS

F7764009 White

Tatou Floor

Designed by Patricia Urquiola, 2012

Halogen - 205W



Diffused light floor lamp. External diffuser in Polycarbonate. Internal diffuser in injection-printed opal Polycarbonate. Support and base in painted steel.

Are you a professional and your project needs consulting and support?

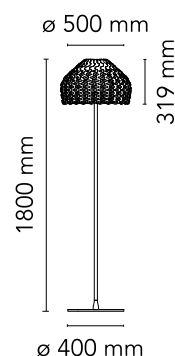
[BOOK AN APPOINTMENT](#)

Main specifications

Mounting	Floor
Environments	Indoor dry location
Light Source Type	Bulb
Lamp category	Halogen
Lamp holders	E27
Iicos	HSGS
Number of heads	1
Power (W)	205

Physical

Colour	White
Length (mm)	500
Cord length (mm)	1700
Net weight (kg)	16.4
Package height (mm)	0
Package width (mm)	0
Package length (mm)	0
Package volume (m3)	0.6
IP internal	20



Download

[Mounting instructions](#) PDF

[Spare Parts](#) PDF

Photometric Files

[LDT / IES](#) LDT

Technical Drawings

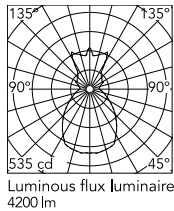
[2D](#) ZIP

[3D](#) ZIP



IP
20

Schematic light drawing



Photometric

Lighting type	Indirect, Direct
Light distribution	Asymmetric

Electrical

Insulation class	II
Frequency (Hz)	50/60
Main voltage (Vac)	220-240
LED voltage Vf (Vdc)	null
Dimmable	Yes
Dimming interface	Dimmer Integrated
Plug type	Type C
Batteries inside	No

Bulbs



NOT INCLUDED

RF30429

LED Opal Lamp E27 21W 2700K
A65 Dimmable

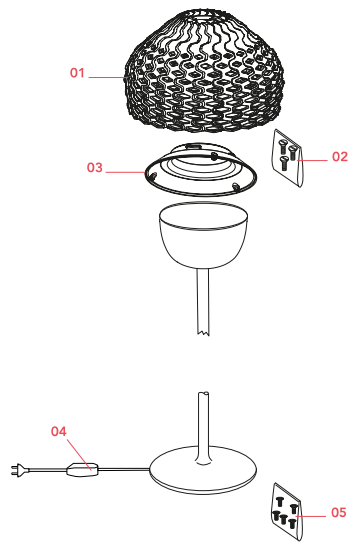


NOT INCLUDED

RF26998

LED 21W E27 2450lm 3000K
DIMMER

Spare Parts



- | | | |
|-----|--|-----------|
| 01. | F-S2 white assembly diffuser | F7755009 |
| 02. | Kit with screws for f-s2 opal reflector assembly | RF7755100 |
| 03. | F-S2 reflector assembly | RF7755200 |
| 05. | Kit of 5 white feed pads for base | RF3020100 |

DOWNLOAD



F7755009

F-S2 white assembly diffuser



RF7755100

Kit with screws for f-s2 opal reflector assembly



RF7755200

F-S2 reflector assembly



RF3020100

Kit of 5 white feed pads for base