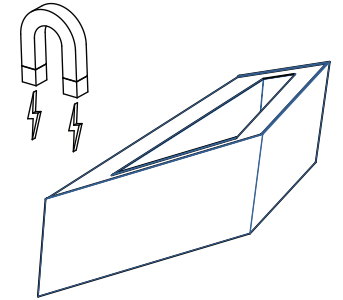
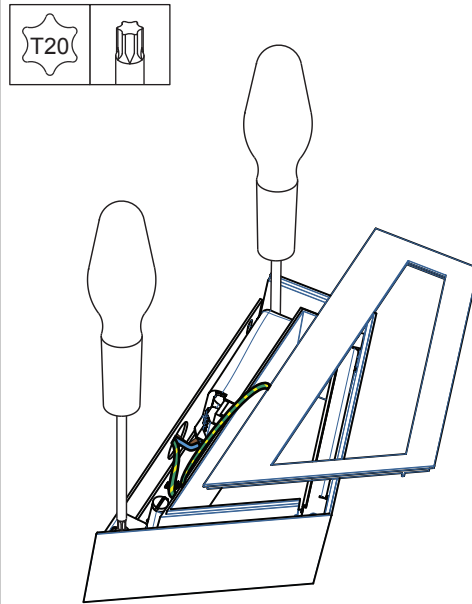
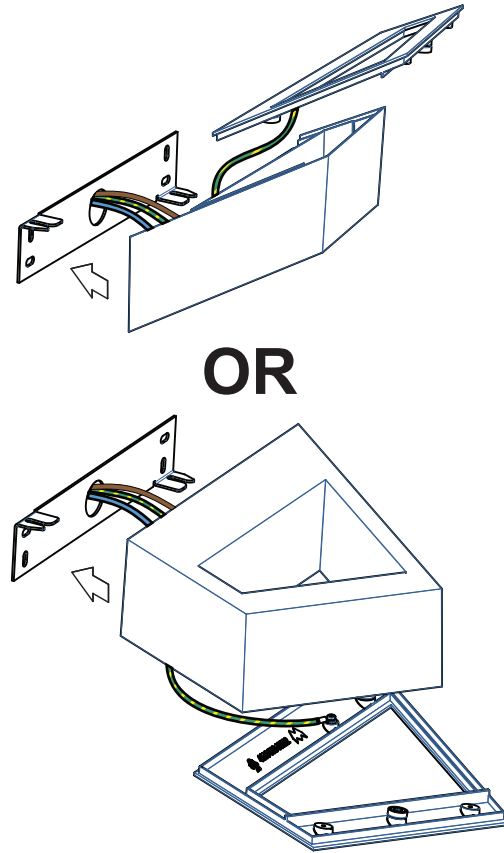
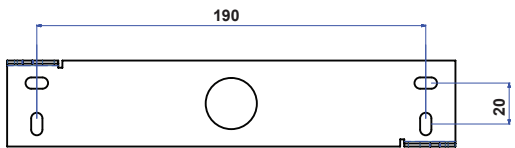
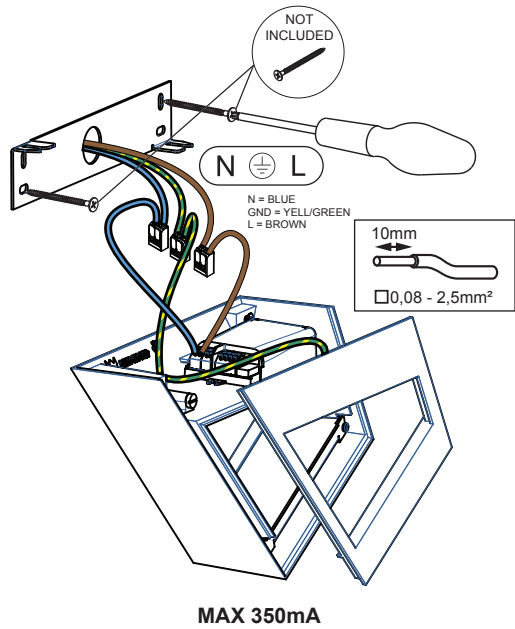
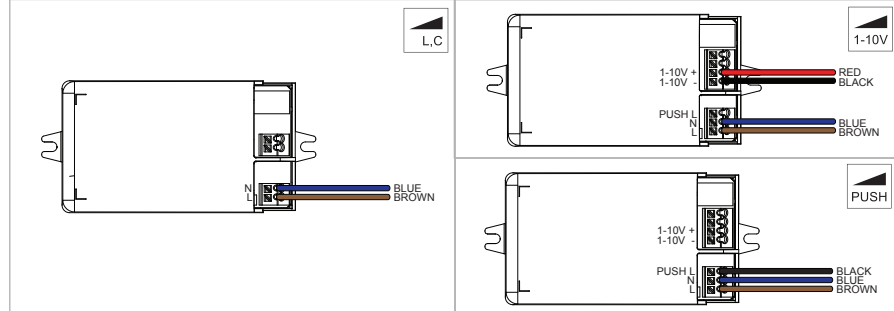


BOLD LED GI

142510XX - 142511XX - 142512XX - 142513XX



For more detailed information check wiring diagrams in catalogue or technical downloads at www.supermodular.com.



	Replace protective shield when broken. The luminaire shall only be used complete with its protective shield. Reference number: 1012731
	LIGHT SOURCE - DO NOT TOUCH LED Touching the LED can result in permanent damage of the light source. The light source contained in this luminaire shall only be replaced by the manufacturer or his service agent or a similar qualified person.
	PREVENTING ELECTROSTATIC DAMAGE A discharge of static electricity may damage sensitive components. Always be properly grounded when touching leads or circuitry inside the luminaire. Use a wrist strap connected by a ground cord to the housing. Avoid touching the light sources with bare hands.

