

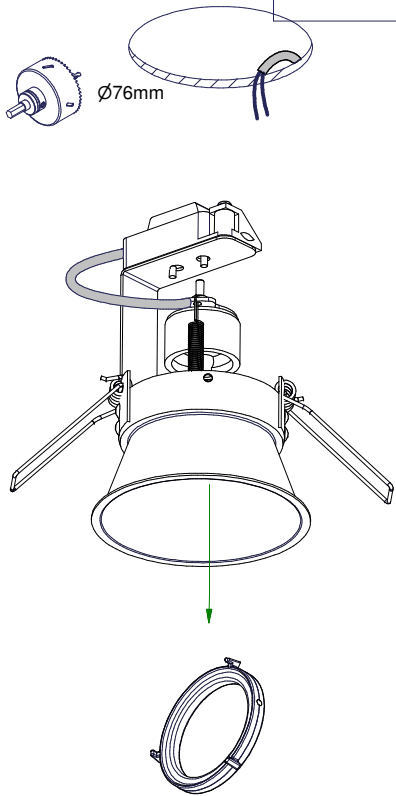
# Lotis ES50 / LED

108810XX

Lamptype : QPAR 16 max. 50W

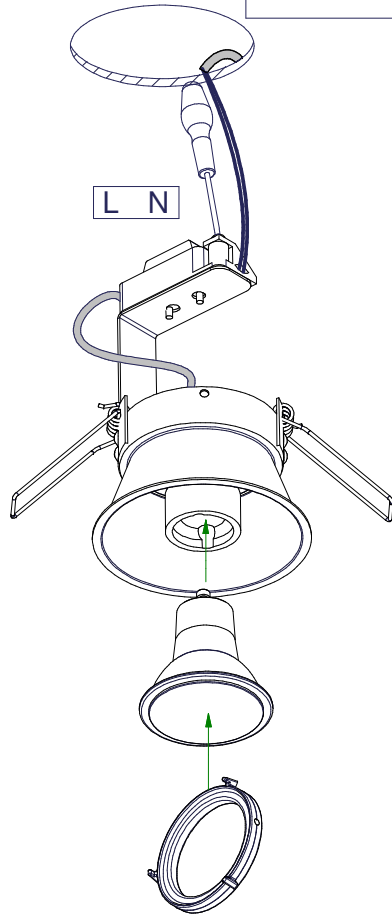
Fitting : Gu10

1 230V / 50-60Hz

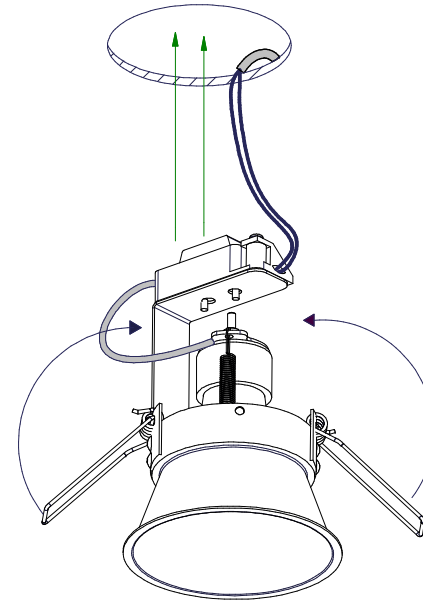


2

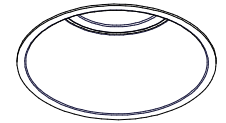
230V / 50-60Hz



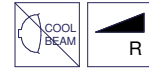
3



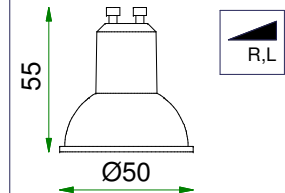
4



**If halogen lamp:**  
max 50W



**If retrofit LED lamp:**  
only suitable for short version

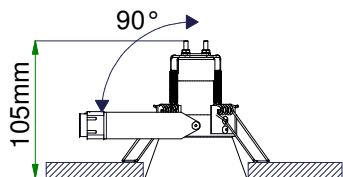


**CAN BE USED WITH**

10889830  
Conbox outer dimension 190x192x130

12290830  
Gypkit 190x190xDIA76

H=110



H=130

