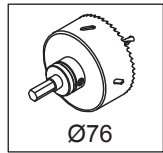
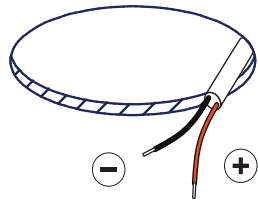


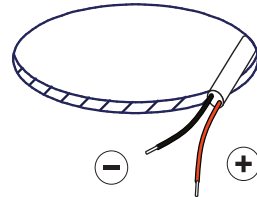
Smart Kup 82 Adjustable LED Warm Dim GE

133331XX - 133332XX

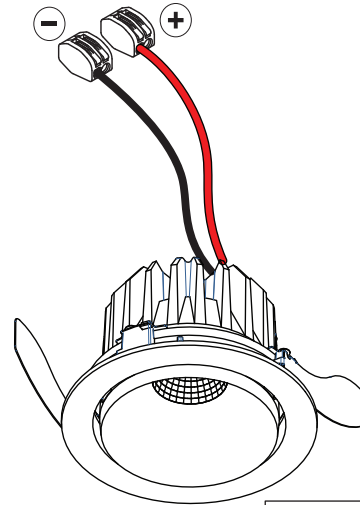
1



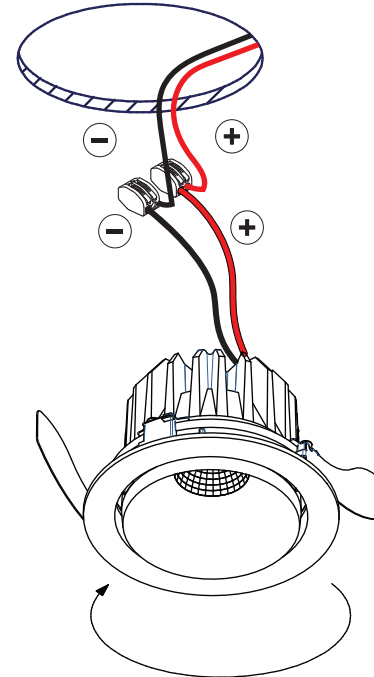
2



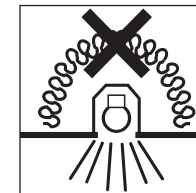
Drive Current (mA)	Forward Voltage		Power (W)
	min (Vf)	max (Vf)	
350	15,5	18,5	6
For serial connection, respect polarity!			
⊕ RED		⊖ BLACK	



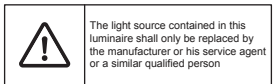
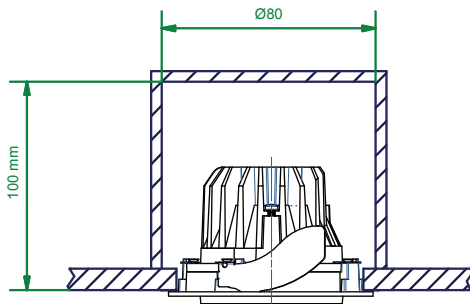
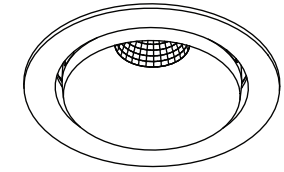
3



install : Twist clockwise
uninstall : Twist counterclockwise



4



CAN BE USED WITH

Driver:
See driver matrix - latest version on website
www.supermodular.com or check sales contact

Accessories:
See catalogue or website

