

Gräshoppa Table Lamp, EU

Designed by Greta M. Grossman - 1947



ITEM NUMBER	Gräshoppa Table Lamp (Shade: Black Semi Matt)	10012217
	Gräshoppa Table Lamp (Shade: Oyester White Semi Matt)	10012216
	Gräshoppa Table Lamp (Shade: Dusty Blue Semi Matt)	10012220
	Gräshoppa Table Lamp (Anthracite Grey Semi Matt)	10012219
	Gräshoppa Table Lamp (Shade: Vintage Red Semi Matt)	10012215
	Gräshoppa Table Lamp (Shade: White Semi Matt)	10012218
	Gräshoppa Table Lamp (Shade: Black Glossy)	10110909
	Gräshoppa Table Lamp (Shade: Albaster White Glossy)	10110709

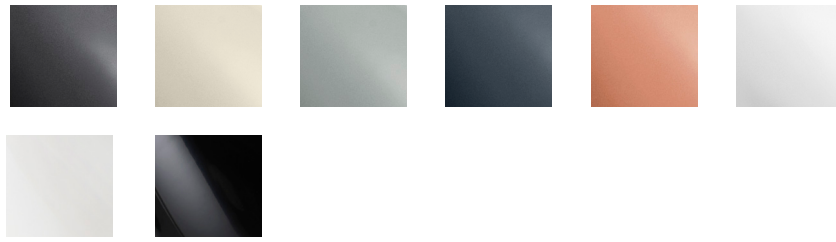
DESCRIPTION

Greta M. Grossman designed the iconic Gräshoppa Table Lamp in 1947 and with its sophisticated yet playful design, it is still as relevant today. The distinctive, elongated conical shade is beautifully combined with a tubular brass stand, a great example of Grossman's whimsical design language, that is both organic and modern. The Gräshoppa Table Lamp brings not only a perfect, functional addition to the desk but can also be used as a sophisticated light object in any room.

Materials & Finishes

SHADE FINISH

Black Semi Matt, Oyester White Semi Matt, Dusty Blue Semi Matt, Anthracite Grey Semi Matt, Vintage Red Semi Matt, White Semi Matt, Black Glossy, Albaster White Glossy



BASE FINISH

Brass, Semi Matt



CORD SHAPE

Oval

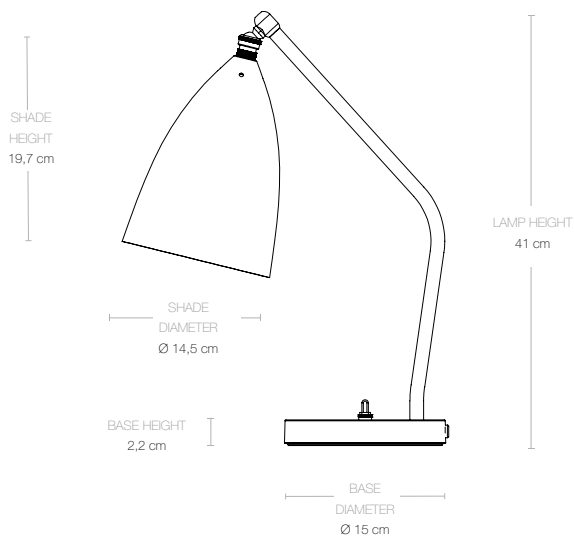
CORD COLOR

Brass Textile

MATERIALS

Powder coated steel (shade), Brass tube (arm), Brass-plated steel (base)

Dimensions



LAMP HEIGHT

41 cm

SHADE DIAMETER

Ø14,5 cm

SHADE HEIGHT

19,7 cm

BASE DIAMETER

Ø15 cm

BASE HEIGHT

2,2 cm

ARM LENGTH

38,8 cm

CORD LENGTH

230 cm

Weight

TOTAL WEIGHT	2,04 kg
--------------	---------

Number of parcels	1
-------------------	---

PACKAGING LENGTH	48 cm
------------------	-------

PACKAGING WIDTH	42 cm
-----------------	-------

PACKAGING HEIGHT	24 cm
------------------	-------

PACKAGING WEIGHT	1,67 kg
------------------	---------

GROSS WEIGHT	3,71 kg
--------------	---------

Electrical Specifications

BULB SOCKET	E14
-------------	-----

RECOMMENDED BULB	4W- 6W LED
------------------	------------

DIMMER	Rotary, on base
--------	-----------------

SWITCH	Yes (on base)
--------	---------------

VOLTAGE	240V
---------	------

BULB INCLUDED	No
---------------	----

PLUG TYPE	EU - Type C, 2pin
-----------	-------------------

Test & Certifications

CERTIFICATION	
---------------	---

ISOLATION CLASS	II
-----------------	----

IP CLASSIFICATION	20
-------------------	----