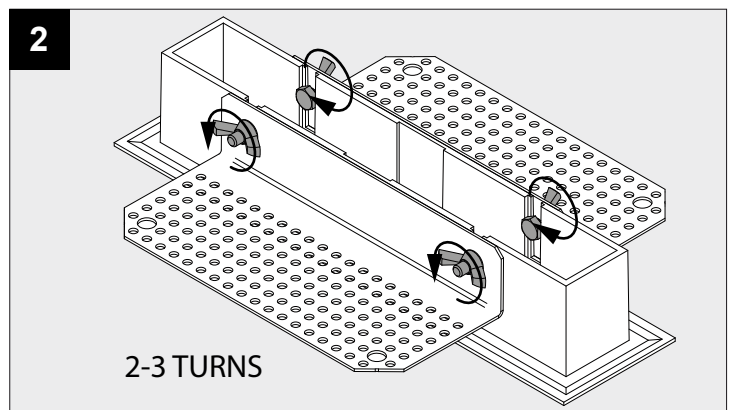
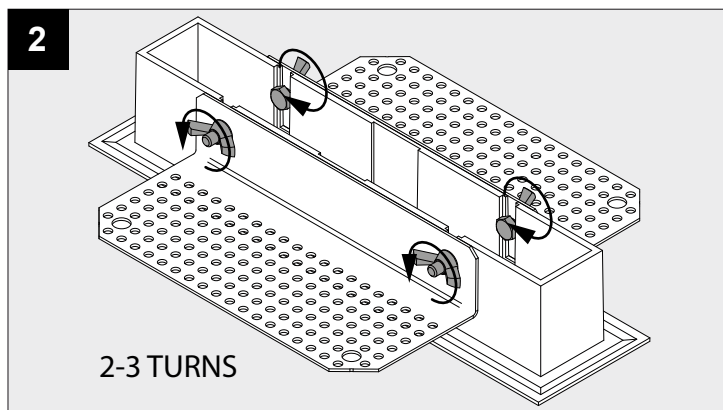
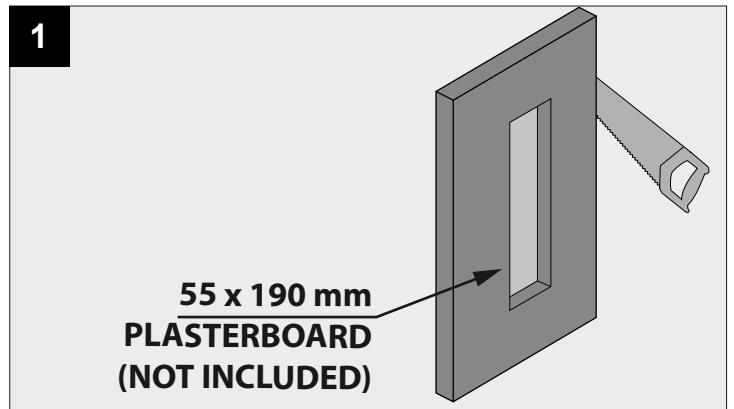
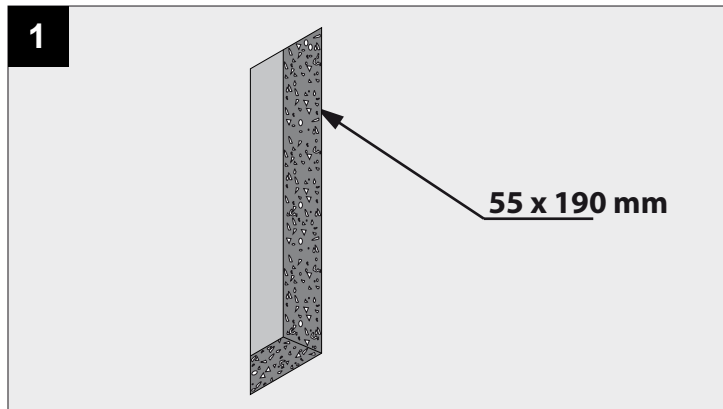
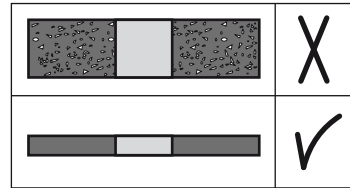
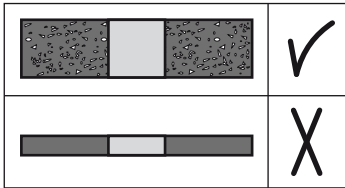
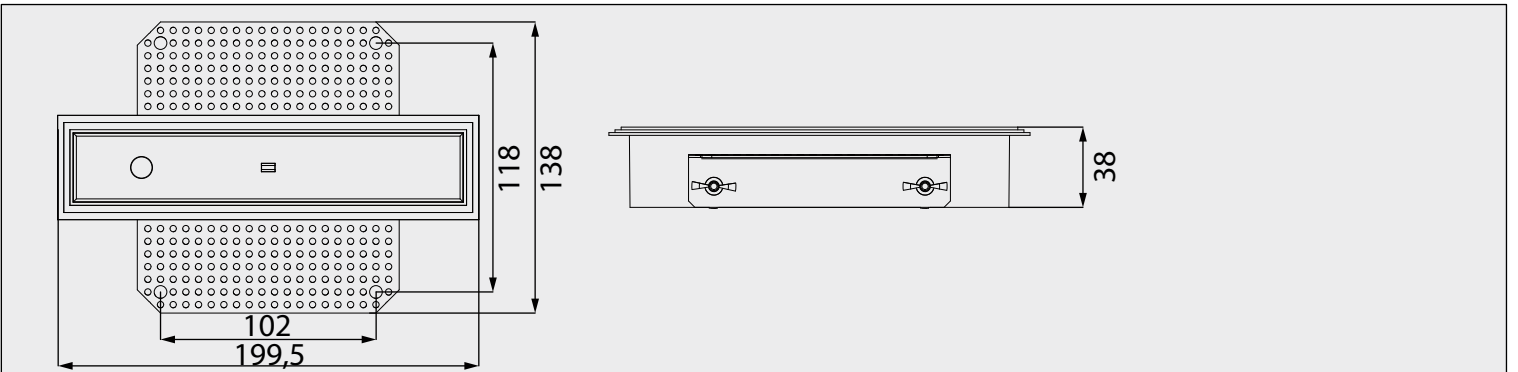
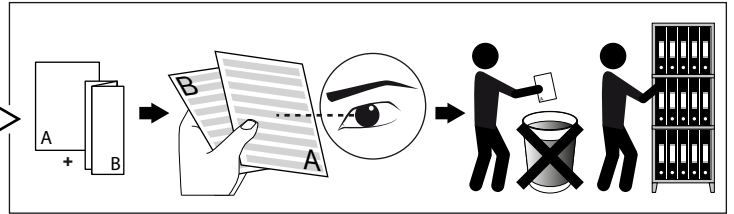
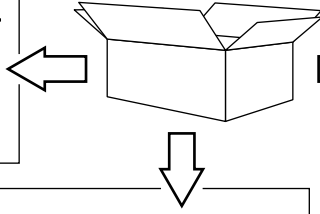
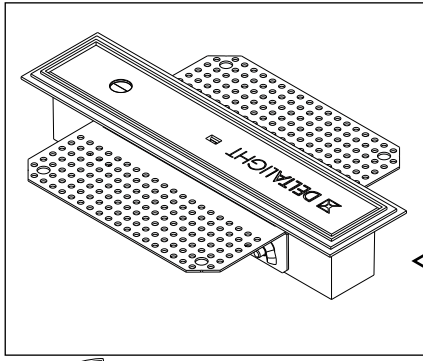
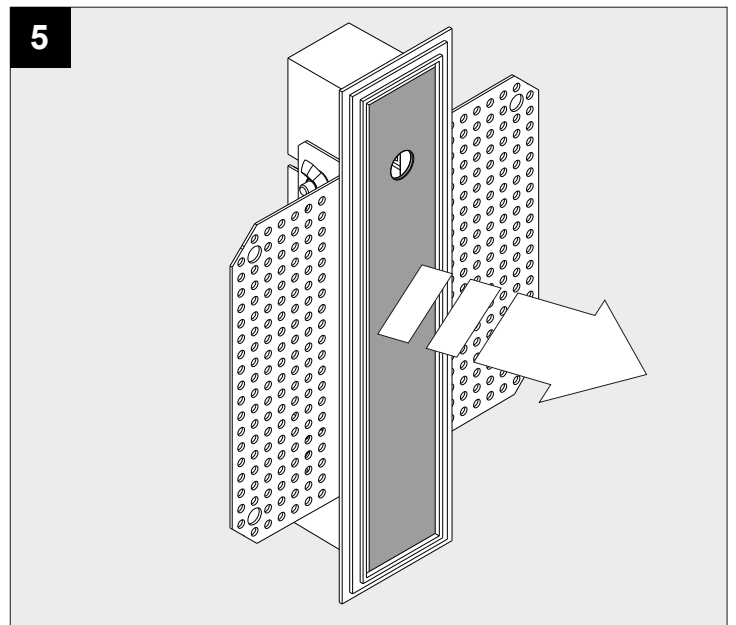
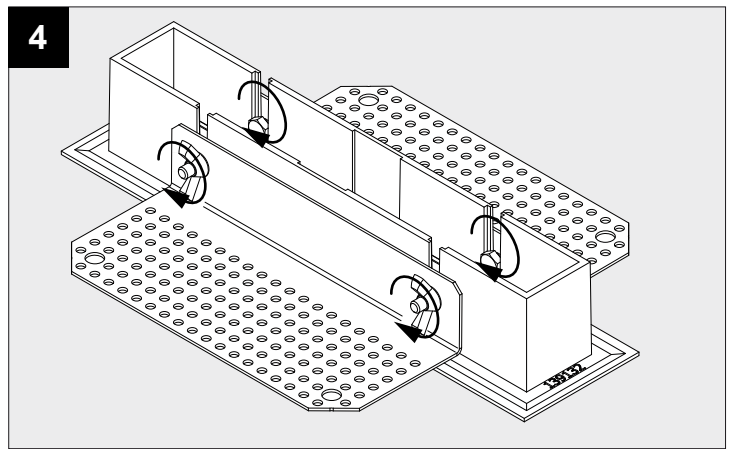
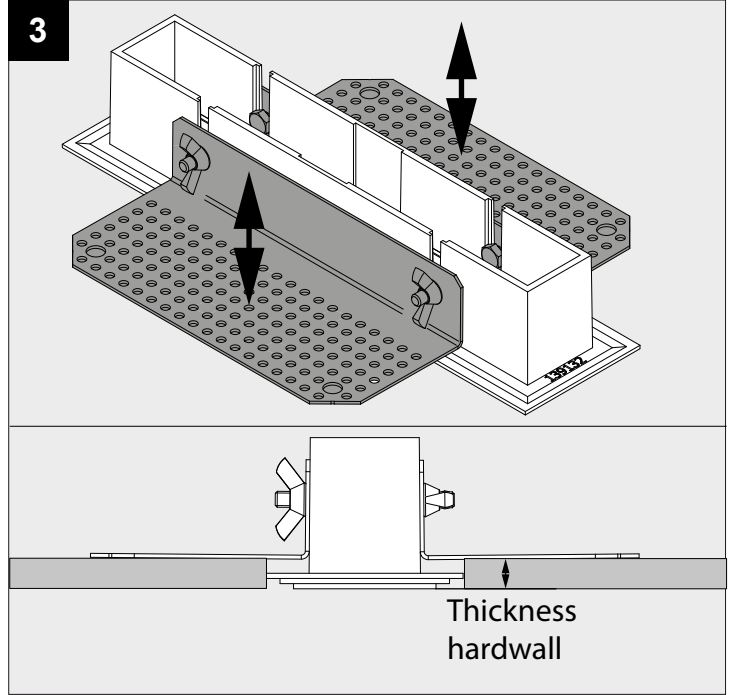
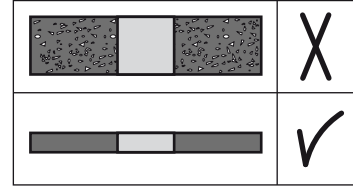
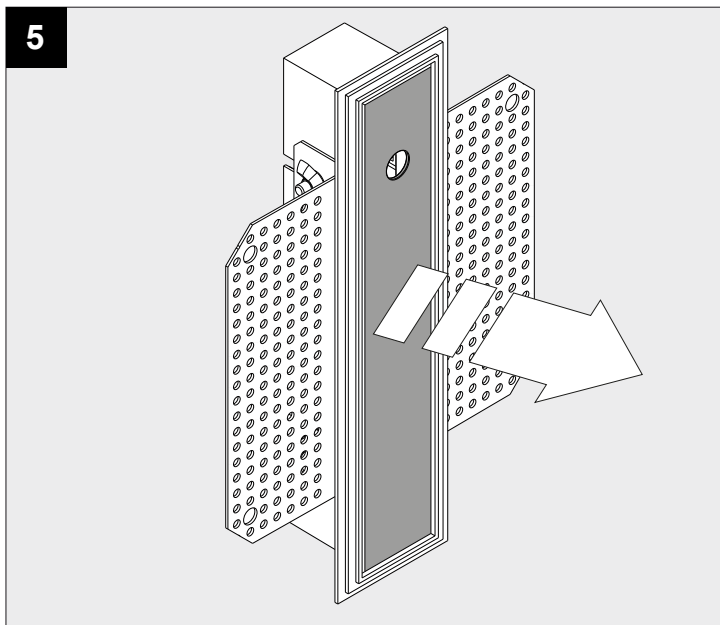
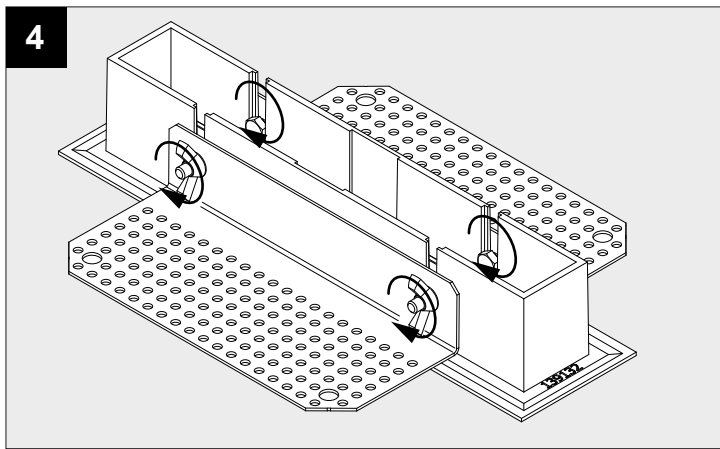
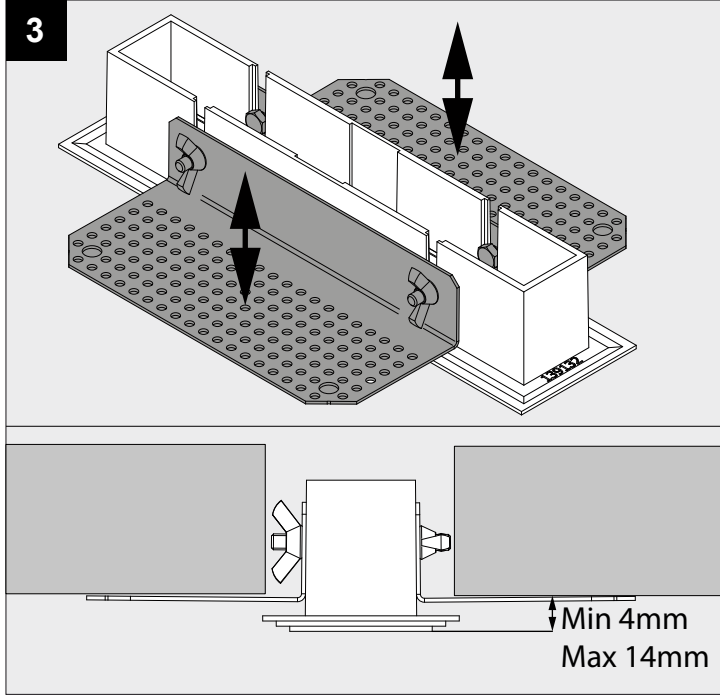
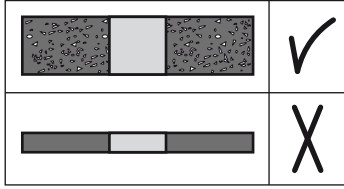
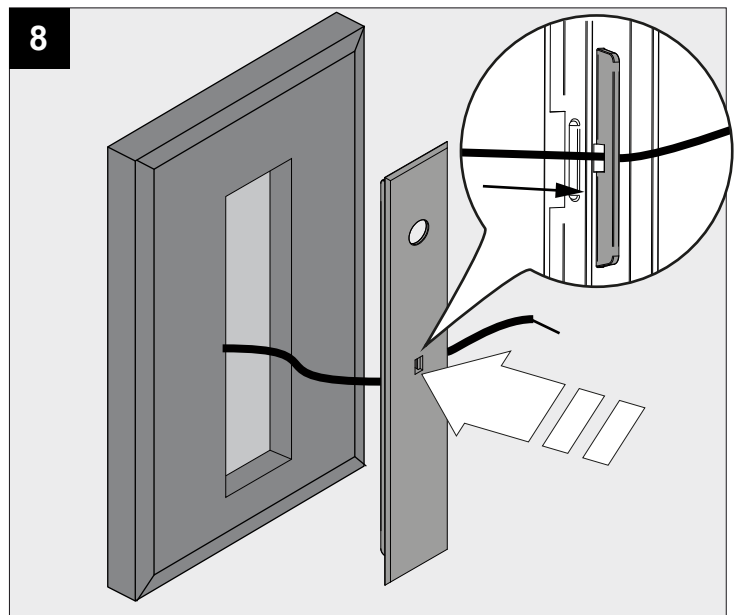
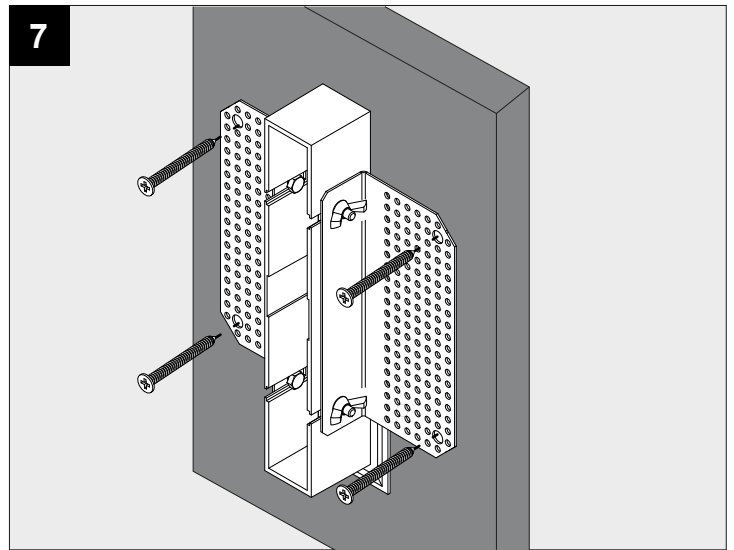
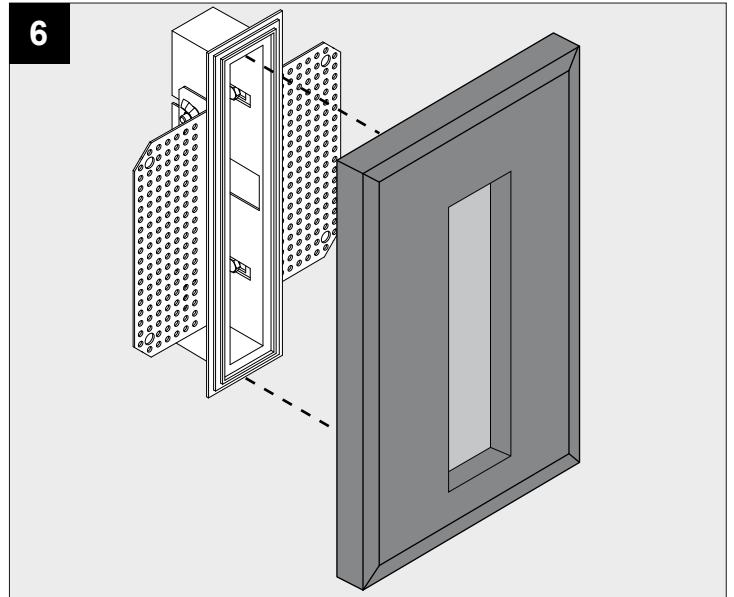
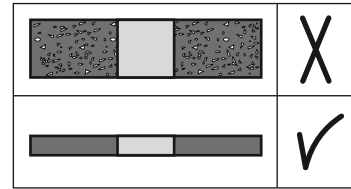
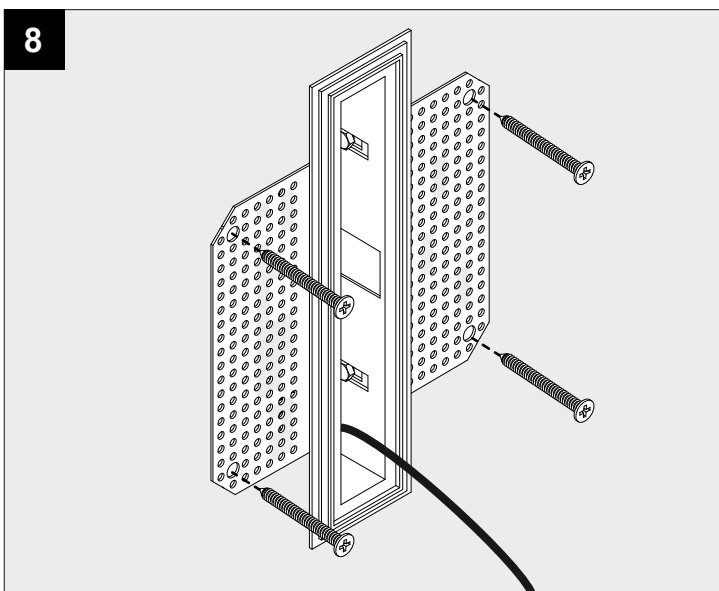
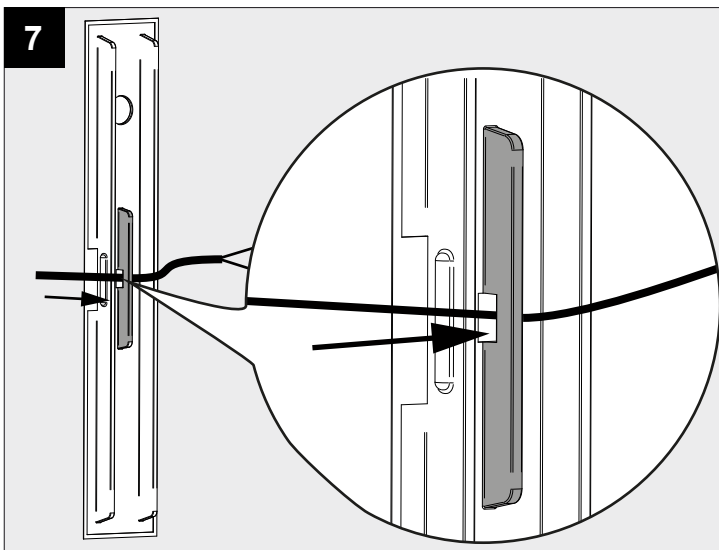
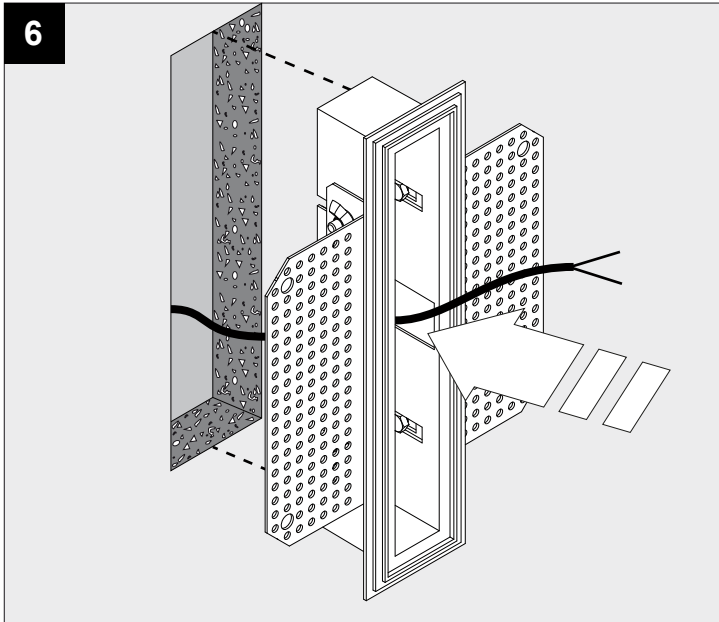
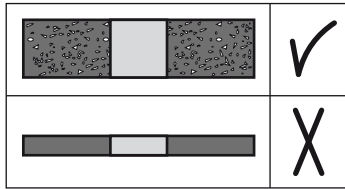




MOUNTING KIT FLUSH INLET

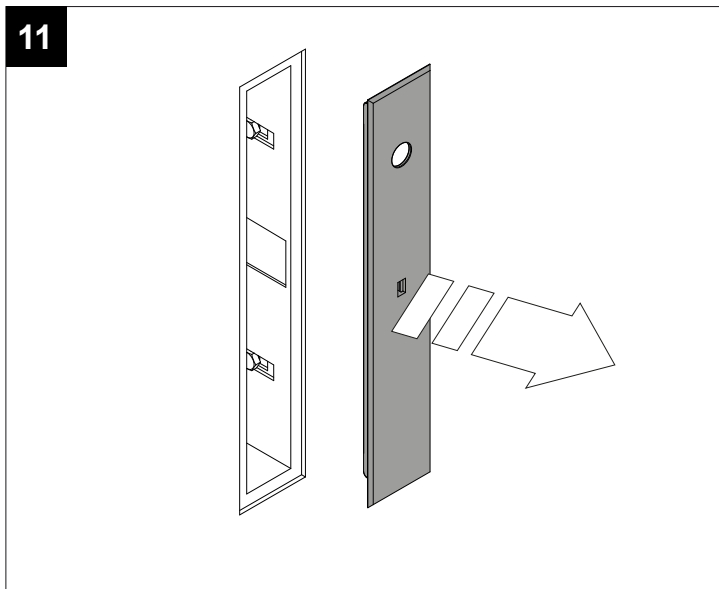
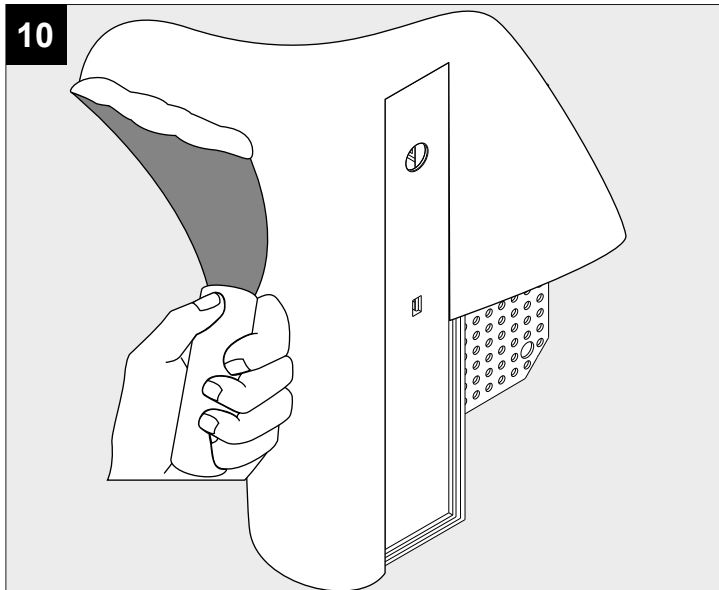
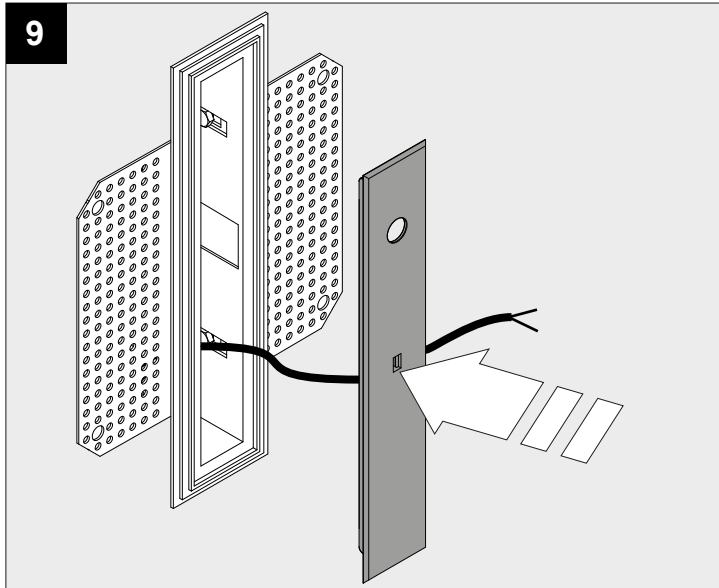
DEEL
PARTIE
TEIL
PART
PARTE
PARTE **A**

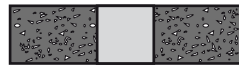







	✓
	X



	X
	✓

