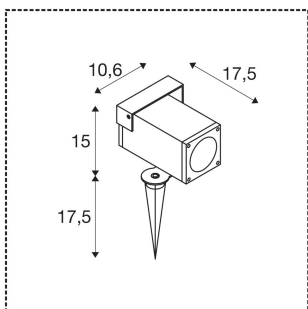




THEO BRACKET SP QPAR51

outdoor ground spike light anthracite

THEO BRACKET makes the extensive range of options offered by the popular SLV THEO light family even more versatile: this earth spike light is perfect for creating accent lighting in outdoor areas. It also offers the option of using different lightbulbs, such as smart GU10 bulbs - which are perfect for intelligent control and adjusting lighting characteristics depending on the context.



TECHNICAL DATA

Item no.:	1004652
Socket	GU10
Lamp	LED GU10 51mm
Number of sockets	1
Primary nominal voltage	220-240V ~50/60Hz mA/V
Tilt range	70 °
Length	17.5 cm
Length of earth spike	17.2 cm
Width	10.6 cm
Height	15.0 cm
Net weight	1.0 kg
Gross weight	1.07 kg
IP Code	IP 65
Safety class	I
Assembly	Surface
Assembly details	Ground
Color	anthracite

Recommended lamp

1001030	LED QPAR51 GU10 , lamp, 38°, 2700K, 400 lm, dimmable
1004972	LED QPAR51 , lightbulb GU10 2700K°

Notes
