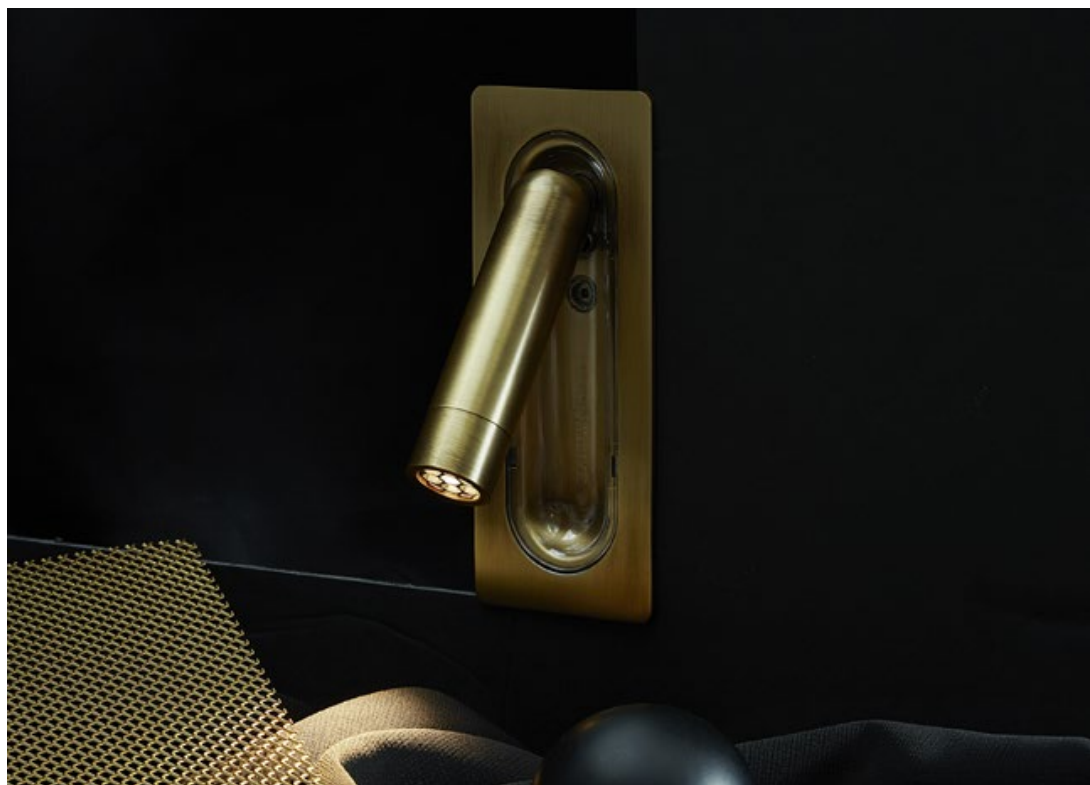
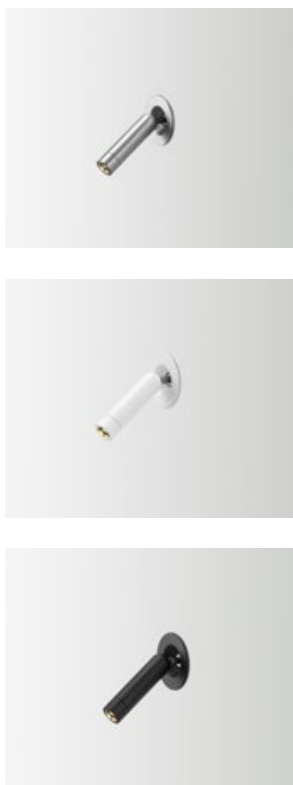


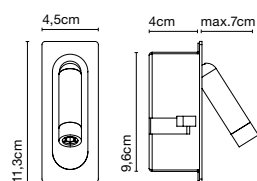
Ledtube

Daniel López

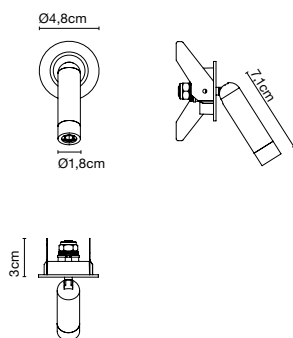
marset



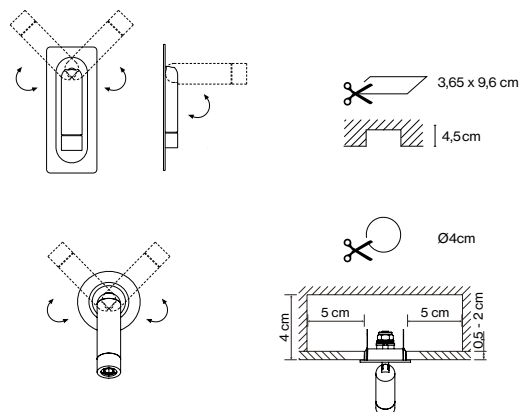
Ledtube mini



Ledtube mini spot



Range of positions



The Ledtube mini offers a new size to fill the gap: the same design but smaller and more compact while maintaining the proportions of the original.



Ledtube mini
LED 3,6W 700mA 2700K
CRI90
Light source - 132lm
(included)

Ledtube mini spot
LED 3,6W 700mA 2700K
CRI90
Light source - 132lm
(included)

Optics



Injected aluminium structure and a frontal piece of transparent polycarbonate. Honeycomb grill to avoid glare. Incorporated switch to turn the lamp on when opened and off when folded away, except in the spot version.

- Aluminium
- Matte white (RAL 9010)
- Matte black (RAL 9005)
- Bronze

- [Download](#) Assembly instructions
- [Download](#) Energy label
- [Download](#) 2D
- [Download](#) 3D
- [Download](#) Photometric data

Range

