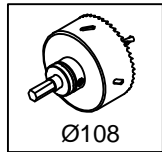
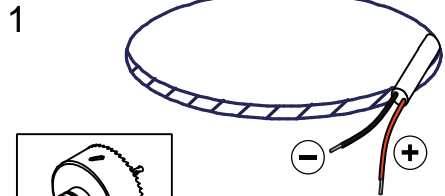


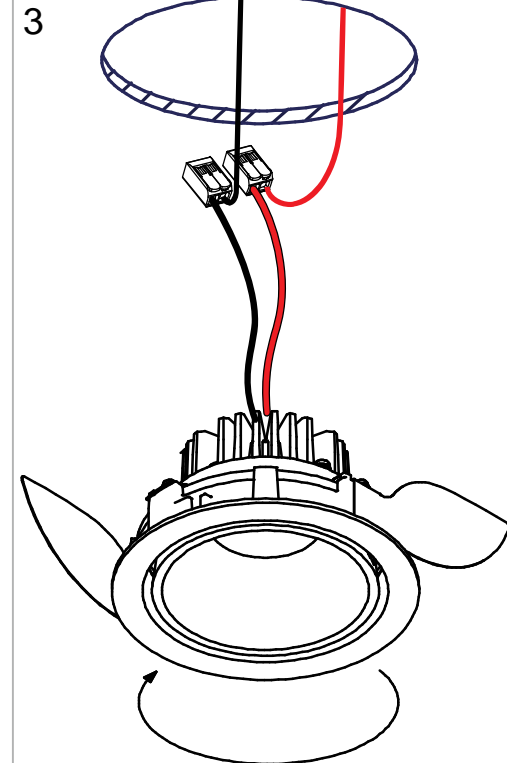
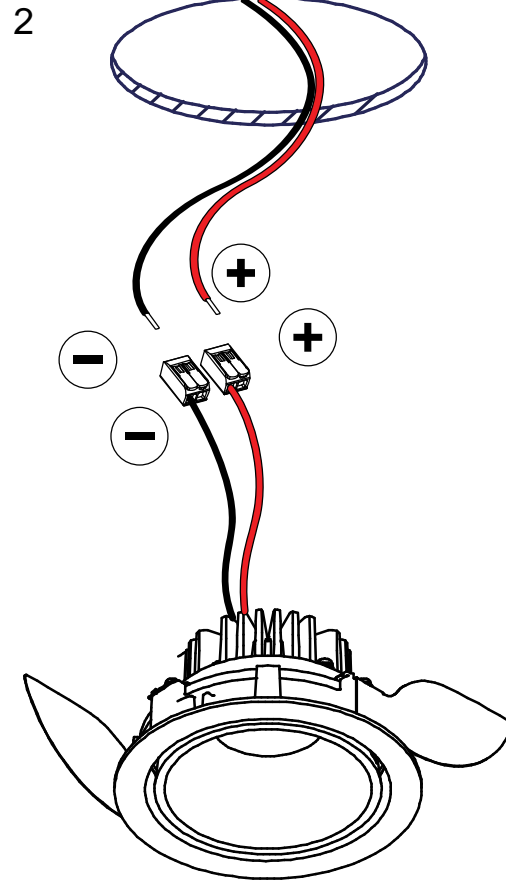
# Smart Lotis Adjustable Ø115 LED GE

127810XX\_127813XX

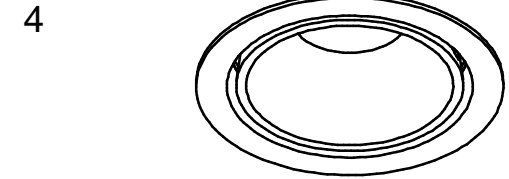


Drive Current (mA)	Forward Voltage		Power (W)
	min (Vf)	max (Vf)	
350	16,5	19,2	6,2
500	17,1	19,8	9,2
700	17,7	20,8	13,4

For serial connection, respect polarity!



install : Twist clockwise  
uninstall: Twist counterclockwise



**CHECK DIP-SWITCHES ON DRIVER**

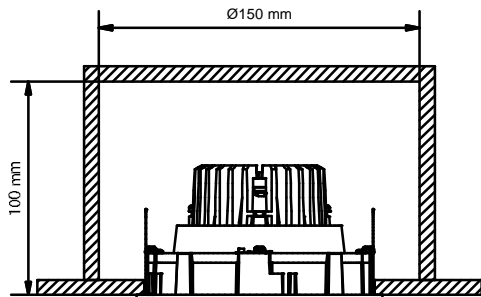
ON

↑

OFF

check dipswitch settings on driver  
Push Dim max 5 drivers on 1 push button

The light source contained in this luminaire shall only be replaced by the manufacturer or his service agent or a similar qualified person



## CAN BE USED WITH

**Drivers:**  
see driver matrix - latest version on website  
[www.supermodular.com](http://www.supermodular.com) or check sales contact

**Recessed ring:**  
12810230 Smart rec ring 115

### Surface box:

128000XX Smart surface box dia 115 GI for 1 LED GE  
128001XX Smart surface box dia 115 1-10V/pushdim GI for 1 LED GE  
128001XX Smart surface box dia 115 DalI/pushdim GI for 1 LED GE  
128010XX Smart surface box dia 115 GI for 2x LED GE  
128011XX Smart surface box dia 115 1-10V/pushdim GI for 2x LED GE  
128012XX Smart surface box dia 115 DalI/pushdim GI for 2x LED GE

**Gypkit - conbox**  
12290530 Gypkit 190X190X Ø108  
10889830 Conbox outer dim. 190x192x130

**Mask**  
12810032 Smart Mask 115 1x BlStr  
12810046 Smart Mask 115 1x Gold  
12810009 Smart Mask 115 1x WhStr

12810132 Smart Mask 115 2x BlStr  
12810146 Smart Mask 115 2x Gold  
12810109 Smart Mask 115 2x WhStr

