

# Discovery Floor - TW

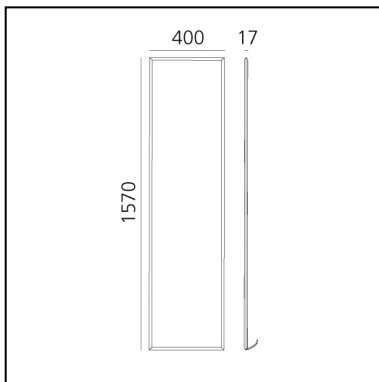
Ernesto Gismondi



## DESCRIPTION

Discovery floor is an unobtrusive and seemingly completely absent element whose volume is only perceived when it is switched on. The innovative emitting surface enclosed by a black rim becomes the only element that constitutes this floor lamp, which is essential and theatrical thanks to the RGBW coloured or Tunable White light. It can adapt perfectly to any space, simply leaning freely against the wall or at an angle.

IP20   **TW**



## FEATURES

- Product Code: **2040030APP**
- Colour: **Black**
- Installation: **Floor**
- Material: **Technopolymer, aluminium**
- Series: **Design Collection**
- design by: **Ernesto Gismondi**

## DIMENSIONS

- Length: **400 mm**
- Width: **17 mm**
- Height: **1570 mm**

## SOURCES INCLUDED

- Category: **Led TW**
- Number: **1**
- Watt: **55W**

## LUMINAIRE

- Watt: **61W**
- Delivered lumen output: **W 3806lm - C 4054lm**
- CCT: **2700K - 6500K**
- Efficiency: **58%**
- Efficacy: **66.47lm/W**
- CRI: **80**

## Accessories



Device for switching and controlling Artemide App products. Max N.3 inputs for external push buttons. Max 1m distance. Mains power supply required. To be installed inside flush mounting boxes or junction boxes. DV1080APP