



Elektrictelt Paul De Meuter CV
Industriepark 13B - Zone B
2220 Heist-op-den-Berg
BELGIUM

INPUT: 220-240V ~50/60Hz CLASS I	
LAMP-HOUSE: LED-1x4W 320lm	
MATERIAL: ALUMINIUM	

INSTALLATION INSTRUCTION

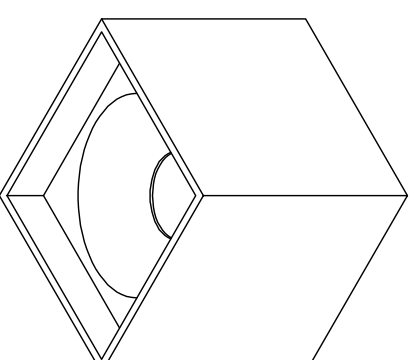
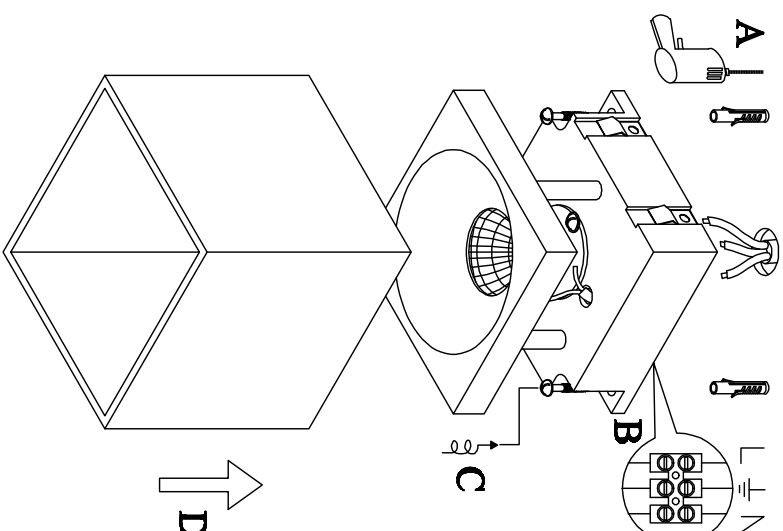
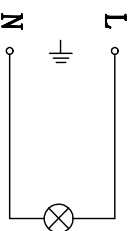
1. Before installing, make sure the power supply is switched off.
2. Follow the steps as the figure for installation or replacement of bulb Step.
 - A. after holing, pull out the wires.
 - B. connect the wires to the terminal block.
 - C. fix the fitting to the ceiling with screws.
 - D. put lamp shade onto the fitting.
3. After finishing every step, tighten the screws, have the fixture fixed, and then connect the power supply.

CLEANING INSTRUCTION

1. Before cleaning, ensure that the power supply is switched off.
2. Use only a soft cloth to clean the lamp, dampened with mild cleanser if needed for resistant dirt.
3. Warning: do not use alcohol or other solvents.

CAUTION:

In case of any doubt, please contact the qualified electrician.



- 12062-01-WW**
- 12062-02-WW**
- 12062-02.01-WW**
- 12062-03.01-WW**